



FLCTEY35-XL

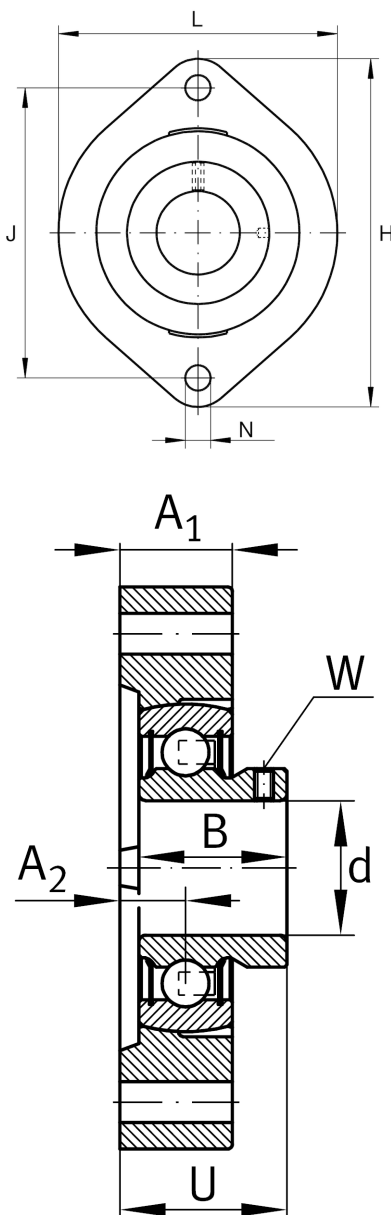
Flanged housing unit

Schaeffler ID:
0008915680000

Housing units FLCTEY, two-bolt flanged housing units, cast iron, grub screws in inner ring, P seals, without relubrication facility

X-life

Technical information



Dimensions

A_1	22 mm	Thickness of flange
A_2	12,4 mm	Distance raceway
d_3	37,5 mm	Outside diameter eccentric locking collar
	0,91 kg	Weight

Main Dimensions & Performance Data

d	35 mm	Bore diameter
L	94 mm	Flange width
H	126 mm	Height flange
U	37,9 mm	Total height unit
C_r	27.500 N	Basic dynamic load rating, radial
C_{0r}	15.300 N	Basic static load rating, radial
C_{ur}	800 N	Fatigue load limit, radial

Mounting dimensions

J	100 mm	Distance fixing bore
J	100 mm	Pitch circle diameter (holes)
N	11,5 mm	Fixing bore
n	2	Number of screwing holes

Additional information

	1	Number of housings
	LCTE07	Housing
	AY35-XL-NPP-B	Bearing designation