



FLCTE30-XL

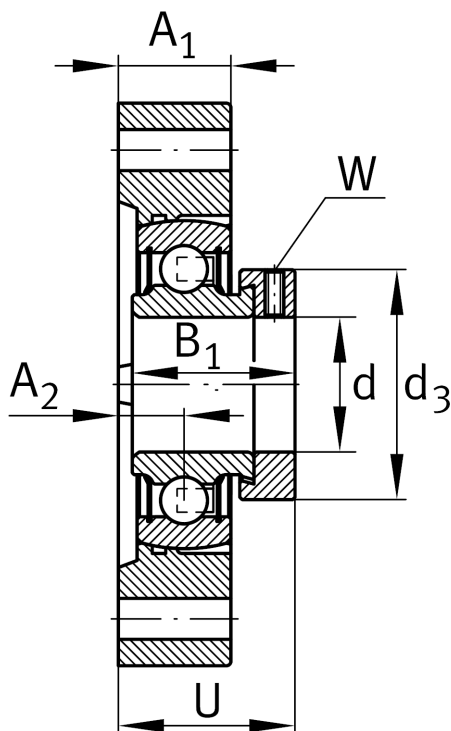
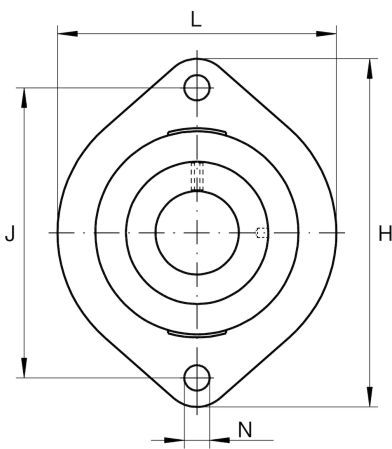
Flanged housing unit

Schaeffler ID:
0008312710000

Housing units FLCTE, two-bolt flanged housing units, cast iron, eccentric locking collar, P seals, without relubrication facility

X-life

Technical information



Dimensions

A_1	22,5 mm	Thickness of flange
A_2	11,4 mm	Distance raceway
d_3	44 mm	Outside diameter eccentric locking collar
	0,76 kg	Weight

Main Dimensions & Performance Data

d	30 mm	Bore diameter
L	84 mm	Flange width
H	112,5 mm	Height flange
U	38,1 mm	Total height unit
C_r	20.700 N	Basic dynamic load rating, radial
C_{0r}	11.300 N	Basic static load rating, radial
C_{ur}	480 N	Fatigue load limit, radial

Mounting dimensions

J	90,5 mm	Distance fixing bore
N	11,5 mm	Fixing bore
n	2	Number of screwing holes

Additional information

	1	Number of housings
	LCTE06	Housing
	RAE30-XL-NPP-B	Bearing designation