



FLCTE20-XL

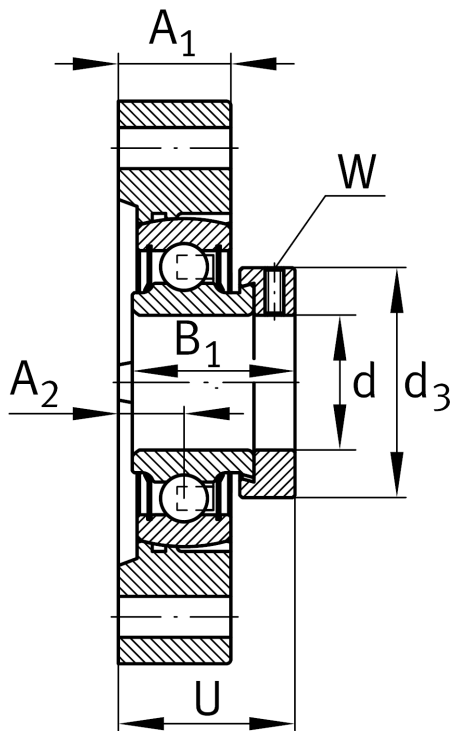
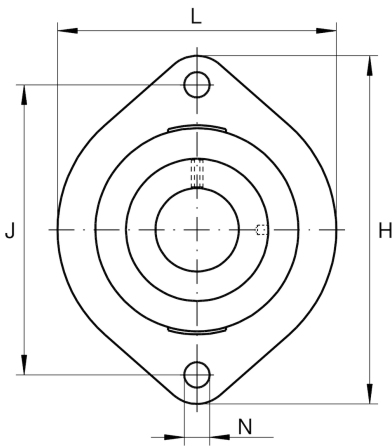
Flanged housing unit

Schaeffler ID:
0008315570000

Housing units FLCTE, two-bolt flanged housing units, cast iron, eccentric locking collar, P seals, without relubrication facility

X-life

Technical information



Dimensions

A_1	17 mm	Thickness of flange
A_2	9,5 mm	Distance raceway
d_3	33 mm	Outside diameter eccentric locking collar
	0,414 kg	Weight

Main Dimensions & Performance Data

d	20 mm	Bore diameter
L	66,5 mm	Flange width
H	90,5 mm	Height flange
U	33 mm	Total height unit
C_r	13.600 N	Basic dynamic load rating, radial
C_{0r}	6.600 N	Basic static load rating, radial
C_{ur}	345 N	Fatigue load limit, radial

Mounting dimensions

J	71,4 mm	Distance fixing bore
N	9 mm	Fixing bore
n	2	Number of screwing holes

Additional information

	1	Number of housings
	LCTE04	Housing
	RAE20-XL-NPP-B	Bearing designation