

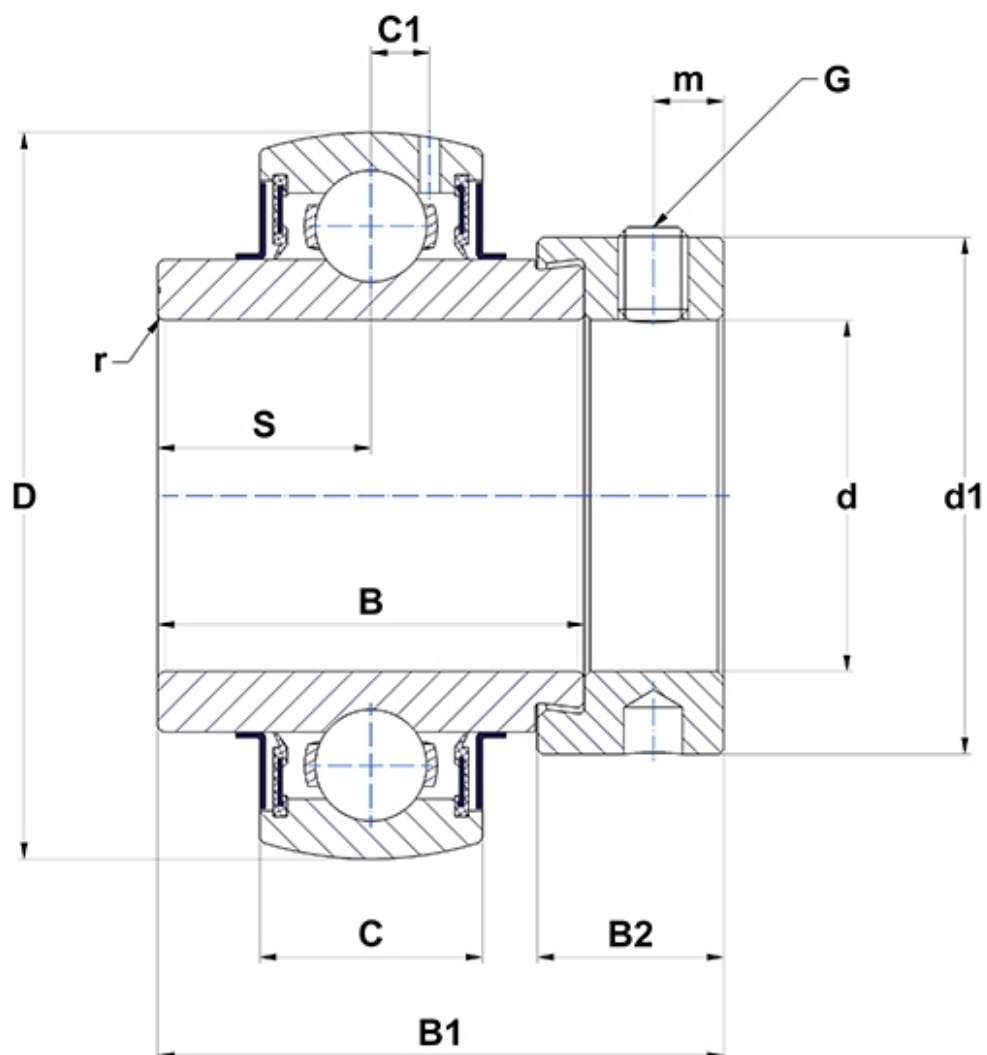
Technical data

EX.208.G2

Insert bearings

spherical outer diameter, fixing by eccentric locking collar, seal with slinger

Visual(s)



Product definition

B	42.8 mm
B1	56.3 mm
B2	18.3 mm
C	21 mm
C1	6.3 mm
d	40 mm
d1	58 mm
D	80 mm
G	M8x1
m	6.5 mm
r	1.1
S	21.4 mm
SW	4 mm

Product performance

C	29.6 kN
C0	18.2 kN
T min.	-20 °C
T max.	100 °C

Other features

Weight	0.78 kg
Recommended tightening torque for set screw	11.5 Nm