

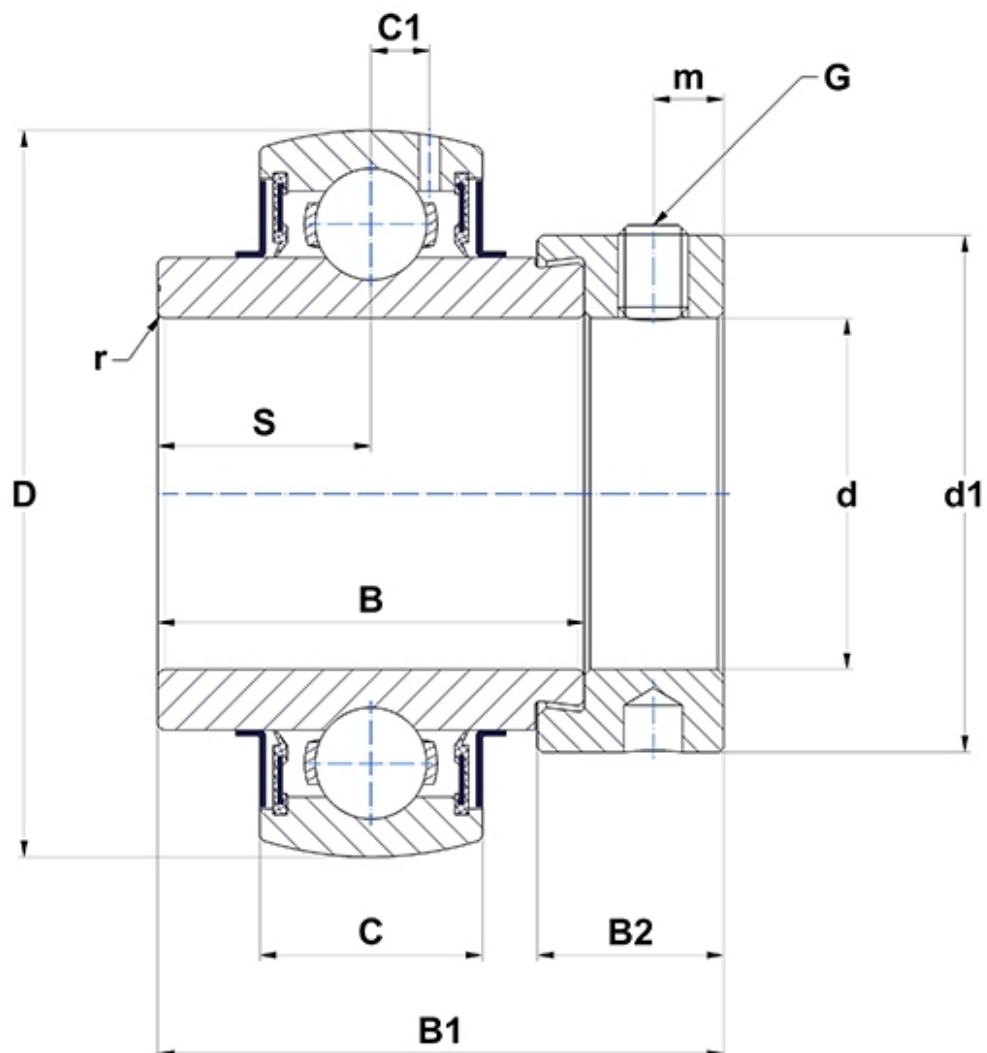
**Technical data**

**EX.205.G2**

Insert bearings

spherical outer diameter, fixing by eccentric locking collar, seal with slinger

**Visual(s)**



## Product definition

<b>B</b>	34.8 mm
<b>B1</b>	44.3 mm
<b>B2</b>	13.5 mm
<b>C</b>	17 mm
<b>C1</b>	4.3 mm
<b>d</b>	25 mm
<b>d1</b>	37.4 mm
<b>D</b>	52 mm
<b>G</b>	M6x1
<b>m</b>	5 mm
<b>r</b>	0.6
<b>S</b>	17.4 mm
<b>SW</b>	3 mm

## Product performance

<b>C</b>	14 kN
<b>C0</b>	7.88 kN
<b>T min.</b>	-20 °C
<b>T max.</b>	100 °C

## Other features

<b>Weight</b>	0.25 kg
<b>Recommended tightening torque for set screw</b>	5.5 Nm