



Technical data

UKP218H

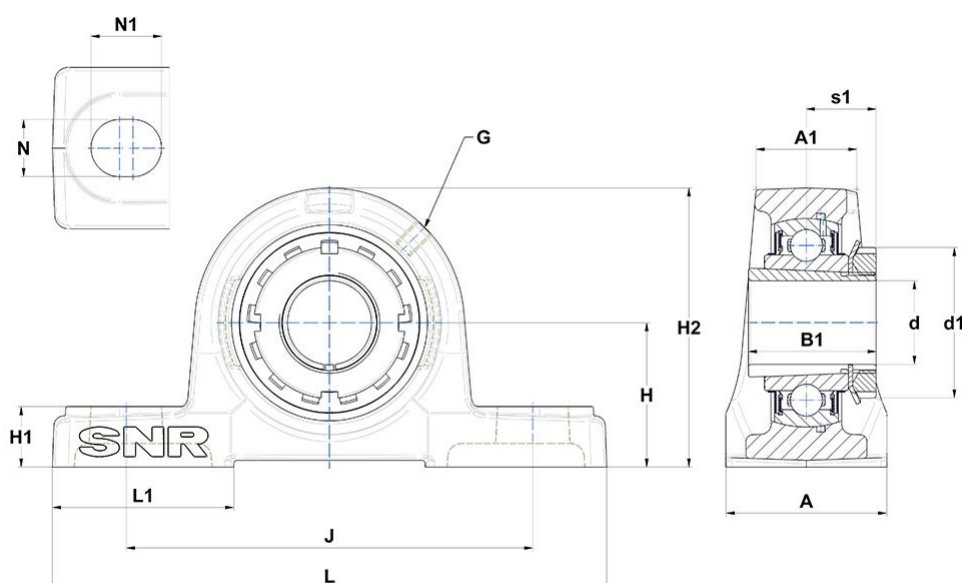
Bearing units

Grey cast housing, radial insert ball bearing with adapter sleeve, seal with slinger

KIT CONTENT

UK218G2H, P218

VISUAL (S)



OTHER FEATURES

Mass	13,69 kg
Adapter sleeve reference	H2318

PRODUCT DIMENSIONS

Housing width (A)	88 mm
Housing top width (A1)	55 mm
Width of IR (B)	48 mm

PRODUCT DIMENSIONS

Shaft dia (d)	80 mm
Outer dia of eccent. Lock. collar / nut of adapter sleeve (d1)	120 mm
Grease fitting (G)	M10x1
Distance mounting base to centerline spheric. seating diam. (H)	101,6 mm
Housing foot height (H1)	34 mm
Housing height (H2)	200 mm
Mounting hole distance (J)	262 mm
Housing length (L)	327 mm
Housing foot length (L1)	100 mm
Mounting hole dimension (N)	27 mm
Mounting hole length (N1)	33 mm
Distance nut - middle of bearing raceway (s1)	42 mm
Brand	SNR

PRODUCT PERFORMANCE

Dynamic load rating (C)	96 kN
Static load rating (C0)	71,5 kN
Operating temperature min.	-20 °C
Operating temperature max.	100 °C