



## Technical data

### UKFC216H

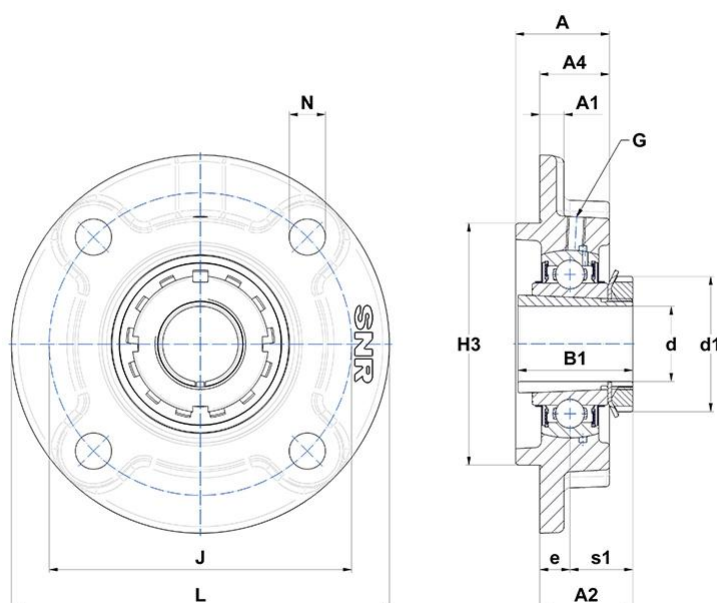
Bearing units

Grey cast housing, radial insert ball bearing with adapter sleeve, seal with slinger

#### KIT CONTENT

UK216G2H, FC216

#### VISUAL (S)



#### OTHER FEATURES

Mass	9,39 kg
Adapter sleeve reference	H2316

#### PRODUCT DIMENSIONS

Housing height (A)	58 mm
Housing foot height / flange height (A1)	18 mm
Total height (Housing + Insert) from mouting surface (A2)	57 mm

**PRODUCT DIMENSIONS**

<b>Housing height from mounting surface (A4)</b>	42 mm
<b>Width of IR (B)</b>	44 mm
<b>Overall width IR incl. eccent. locking collar/adapt. sleeve(B1)</b>	78 mm
<b>Shaft dia (d)</b>	70 mm
<b>Outer dia of eccent. Lock. collar / nut of adapter sleeve (d1)</b>	105 mm
<b>Distance mounting surface - bearing center (e)</b>	18 mm
<b>Grease fitting (G)</b>	M10x1
<b>Centering dia (H3)</b>	170 mm
<b>Mounting hole distance (J)</b>	200 mm
<b>Housing width / dia (L)</b>	240 mm
<b>Mounting hole dimension (N)</b>	23 mm
<b>Distance nut - middle of bearing raceway (s1)</b>	39 mm
<b>Brand</b>	SNR

**PRODUCT PERFORMANCE**

<b>Dynamic load rating (C)</b>	72,5 kN
<b>Static load rating (C0)</b>	54,2 kN
<b>Operating temperature min.</b>	-20 °C
<b>Operating temperature max.</b>	100 °C