



**Technical data**

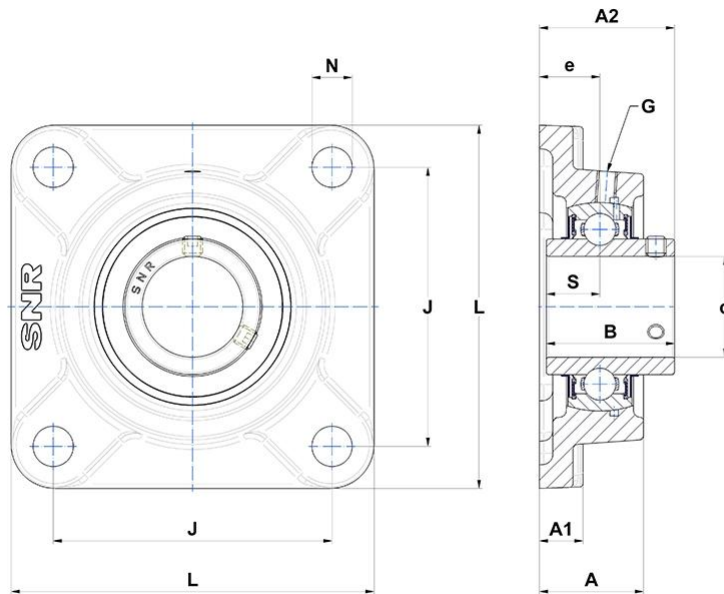
**UCF312**  
Bearing units

Grey cast housing, radial insert ball bearing with socket set screws, seal with slinger

**KIT CONTENT**

**UC312G2, F312**

**VISUAL (S)**



**OTHER FEATURES**

<b>Mass</b>	6,33 kg
<b>Recommended tightening torque for set screw [Nm]</b>	33.0 N-m

**PRODUCT DIMENSIONS**

<b>Housing height (A)</b>	56 mm
<b>Housing foot height / flange height (A1)</b>	22 mm
<b>Total height (Housing + Insert) from mounting surface (A2)</b>	78 mm

### PRODUCT DIMENSIONS

<b>Width of IR (B)</b>	71 mm
<b>Shaft dia (d)</b>	60 mm
<b>Distance mounting surface - bearing center (e)</b>	33 mm
<b>Grease fitting (G)</b>	M6x1
<b>Mounting hole distance (J)</b>	150 mm
<b>Housing width / dia (L)</b>	193 mm
<b>Mounting hole dimension (N)</b>	23 mm
<b>Dist. cent. of raceway to face IR on side opp. lock. device (S)</b>	26 mm
<b>Brand</b>	SNR

### PRODUCT PERFORMANCE

<b>Dynamic load rating (C)</b>	81,6 kN
<b>Static load rating (C0)</b>	51,8 kN
<b>Operating temperature min.</b>	-20 °C
<b>Operating temperature max.</b>	100 °C