



Technical data

SUCP208

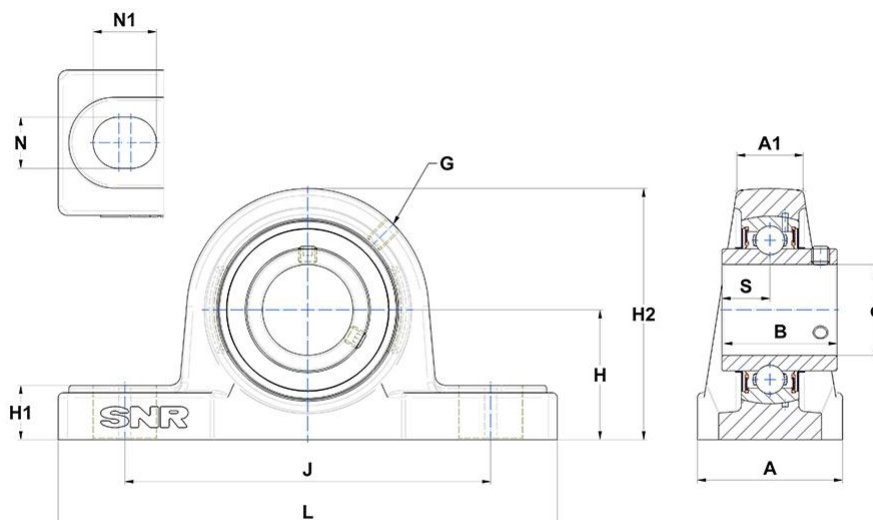
Bearing units

Stainless steel cast housing, stainless steel insert ball bearing with socket set screws, seal with slinger, food grease

KIT CONTENT

SUC208, SP208

VISUAL (S)



OTHER FEATURES

Mass	2,31 kg
Recommended tightening torque for set screw [Nm]	8.3 N-m

PRODUCT DIMENSIONS

Housing width (A)	54 mm
Housing top width (A1)	27 mm

PRODUCT DIMENSIONS

Width of IR (B)	49,2 mm
Shaft dia (d)	40 mm
Grease fitting (G)	M6x1
Distance mounting base to centerline spheric. seating diam. (H)	49,2 mm
Housing foot height (H1)	19 mm
Housing height (H2)	100 mm
Mounting hole distance (J)	136 mm
Housing length (L)	184 mm
Mounting hole dimension (N)	17 mm
Mounting hole length (N1)	23 mm
Dist. cent. of raceway to face IR on side opp. lock. device (S)	19 mm
Brand	SNR

PRODUCT PERFORMANCE

Dynamic load rating (C)	32 kN
Static load rating (C0)	19,3 kN
Operating temperature min.	-20 °C
Operating temperature max.	100 °C