



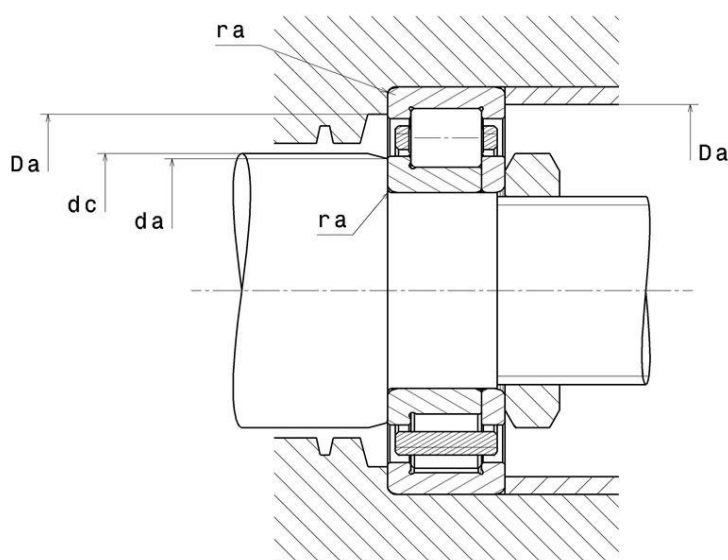
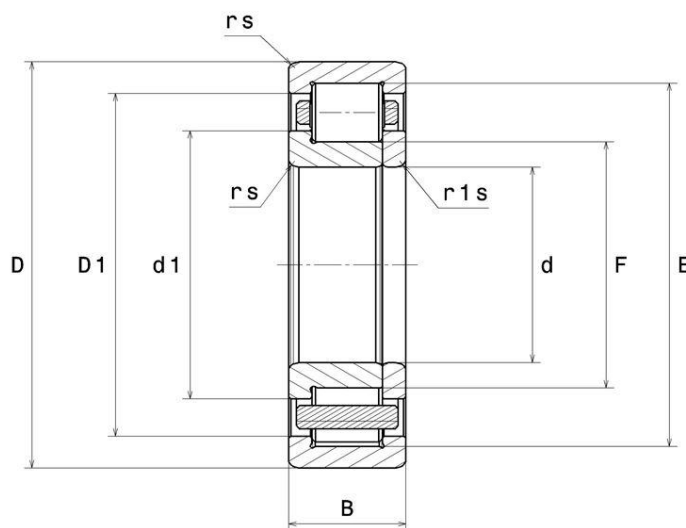
Technical data

NUP209EG15

Single row cylindrical roller bearings

Single row cylindrical roller bearing, locating, separable, polyamide cage

VISUAL (S)



NUP209EG15

Single row cylindrical roller bearings

PRODUCT DIMENSIONS

Internal diameter d	45 mm
External diameter D	85 mm
Bearing/Inner ring width(B)	19 mm
Upper roller diameter E	76,5 mm
Under roller diameter F	54,5 mm
d1	59 mm
OR flange inner diameter D1	73,3 mm
Min fillet radius rs	1,1 mm
Min fillet radius r1s	1,1 mm
Radial clearance class	CN
Mass	0,457 kg
Brand	SNR

PRODUCT PERFORMANCE

Dynamic load, C	64,8 kN
Static load, C0	68,9 kN
Fatigue limit load, Cu	8,4 kN
Reference thermal speed (Nref)	6900 tr/min
Mechanical Limit Speed Nlim	9900 tr/min
Nlim (oil)	8100 tr/min
Nlim (grease)	6700 tr/min
Min operating temperature, Tmin	-20 °C
Max operating temperature, Tmax	120 °C
Characteristic cage frequency, FTF	0.416 Hz
Characteristic rolling element frequency, BSF	5.787 Hz
Characteristic outer ring frequency, BPF0	6.24 Hz
Characteristic inner ring frequency, BRFI	8.76 Hz

ABUTMENT

Min shoulder diameter IR da min	51,5 mm
Min NJ & N type IR GO diameter dc min	61 mm
Max shoulder diameter OR Da max	78,5 mm
Max fillet radius ra max	1 mm

NUP209EG15

Single row cylindrical roller bearings

ABUTMENT

Maxi fillet radius r1a

1 mm

INDUSTRY CALCUL FACTORS

Equivalent dynamic radial load

$$P = Fr$$

Equivalent static radial load

$$P_0 = Fr$$