



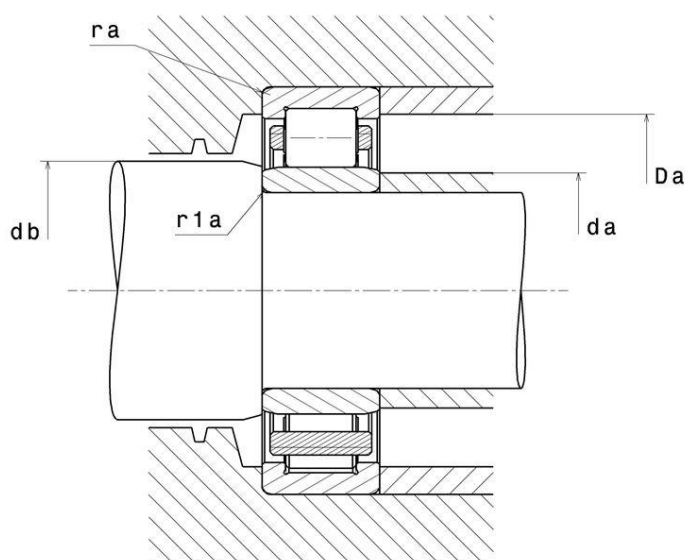
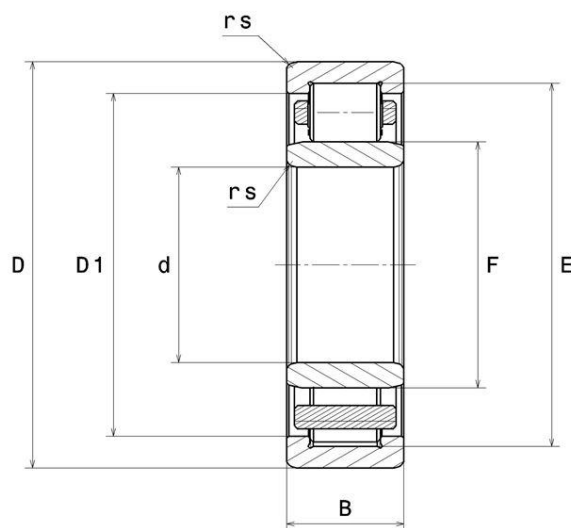
Technical data

NU208EG15

Single row cylindrical roller bearings

Single row cylindrical roller bearing, floating, separable, polyamide cage

VISUAL (S)



NU208EG15

Single row cylindrical roller bearings

PRODUCT DIMENSIONS

Internal diameter d	40 mm
External diameter D	80 mm
Bearing/Inner ring width(B)	18 mm
Upper roller diameter E	71,5 mm
Under roller diameter F	49,5 mm
OR flange inner diameter D1	68,3 mm
Min fillet radius rs	1,1 mm
Min fillet radius r1s	1,1 mm
Radial clearance class	CN
Mass	0,38 kg
Brand	SNR

PRODUCT PERFORMANCE

Dynamic load, C	54,4 kN
Static load, C0	53,8 kN
Fatigue limit load, Cu	6,6 kN
Reference thermal speed (Nref)	7600 tr/min
Mechanical Limit Speed Nlim	11000 tr/min
Nlim (oil)	8800 tr/min
Nlim (grease)	7300 tr/min
Min operating temperature, Tmin	-20 °C
Max operating temperature, Tmax	120 °C
Characteristic cage frequency, FTF	0.409 Hz
Characteristic rolling element frequency, BSF	5.318 Hz
Characteristic outer ring frequency, BPF0	5.727 Hz
Characteristic inner ring frequency, BPF1	8.273 Hz

ABUTMENT

Min shoulder diameter IR da min	46,5 mm
Small face shoulder max diameter da max	49 mm
Max shoulder diameter OR Da max	73,5 mm
Max fillet radius ra max	1 mm
Maxi fillet radius r1a	1 mm

NU208EG15

Single row cylindrical roller bearings

INDUSTRY CALCUL FACTORS

Equivalent dynamic radial load

$$P = Fr$$

Equivalent static radial load

$$P_0 = Fr$$