



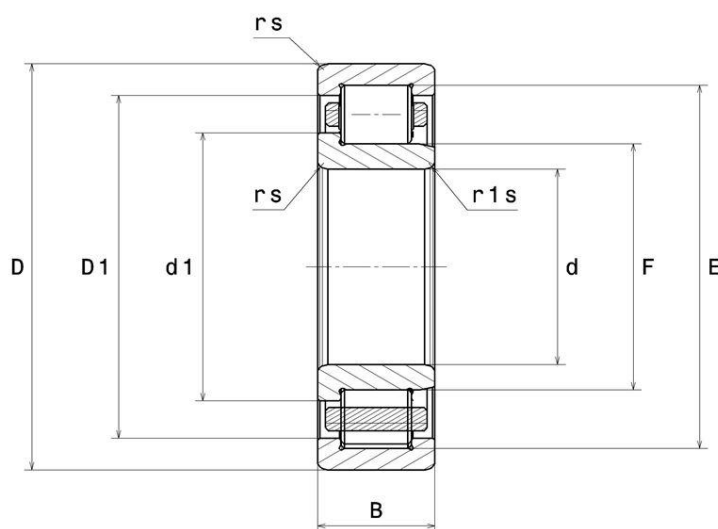
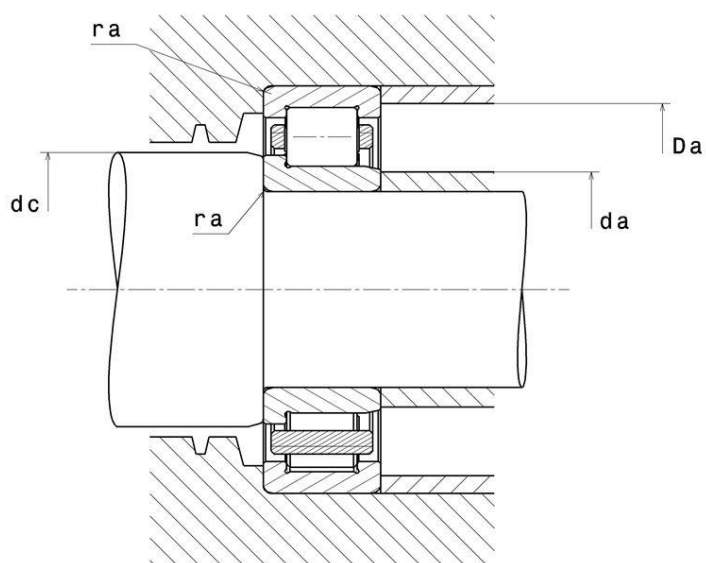
Technical data

NJ2206EG15

Single row cylindrical roller bearings

Single row cylindrical roller bearing, single direction for axial loads, separable, polyamide cage.

VISUAL (S)



NJ2206EG15

Single row cylindrical roller bearings

PRODUCT DIMENSIONS

Internal diameter (d)	30 mm
External diameter (D)	62 mm
Bearing/Inner ring width (B)	20 mm
Upper roller diameter E	55,5 mm
Under roller diameter F	37,5 mm
d1	41,3 mm
OR flange inner diameter D1	52,5 mm
Min fillet radius (rs)	1 mm
Min fillet radius r1s	0,6 mm
Radial clearance class	CN
Mass	0,261 kg
Brand	SNR

PRODUCT PERFORMANCE

Dynamic load (C)	50,2 kN
Static load (C0)	51,5 kN
Fatigue limit load (Cu)	6,3 kN
Reference thermal speed (Nref)	8100 tr/min
Mechanical Limit Speed (Nlim)	14000 tr/min
Nlim (oil)	11000 tr/min
Nlim (grease)	9500 tr/min
Min operating temperature (Tmin)	-20 °C
Max operating temperature (Tmax)	120 °C
Characteristic cage frequency, FTF	0.403 Hz

NJ2206EG15

Single row cylindrical roller bearings

PRODUCT PERFORMANCE

Characteristic rolling element frequency, BSF	4.973 Hz
Characteristic outer ring frequency, BPF0	5.242 Hz
Characteristic inner ring frequency, BPF1	7.758 Hz

ABUTMENT

Min shoulder diameter IR (da min)	35 mm
Small face shoulder max diameter da max	37 mm
db min	40 mm
Min NJ & N type IR GO diameter dc min	44 mm
Max shoulder diameter OR (Da max)	57 mm
Max fillet radius ra max	1 mm
Maxi fillet radius r1a	0,6 mm

INDUSTRY CALCUL FACTORS

Equivalent dynamic radial load

$$P = Fr$$

Equivalent static radial load

$$P_0 = Fr$$