



## Technical data

### MUCPPL204

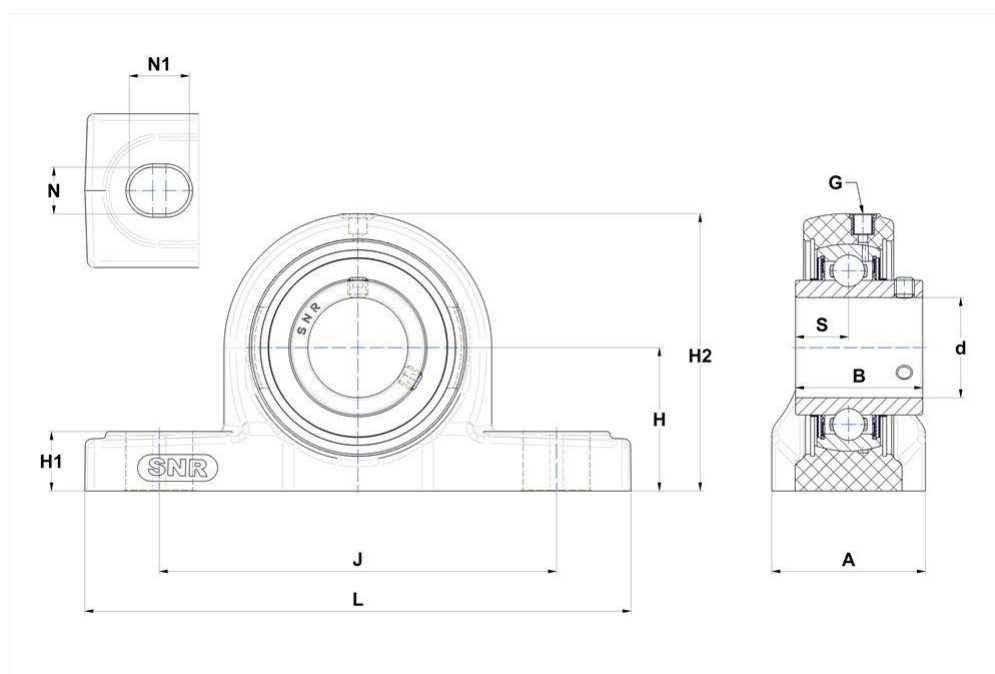
Bearing units

Thermoplastic housing stainless steel insert ball bearing with socket set screws, seal with slinger, food grease

#### KIT CONTENT

MUC204FD, PPL204

#### VISUAL (S)



#### PRODUCT DIMENSIONS

<b>Housing width (A)</b>	38 mm
<b>Width of IR (B)</b>	31 mm
<b>Shaft dia (d)</b>	20 mm
<b>Grease fitting (G)</b>	1/4-28 UNF
<b>Distance mounting base to centerline spheric. seating diam. (H)</b>	33,3 mm

### PRODUCT DIMENSIONS

<b>Housing foot height (H1)</b>	14,2 mm
<b>Housing height (H2)</b>	65 mm
<b>Mounting hole distance (J)</b>	95 mm
<b>Housing length (L)</b>	127 mm
<b>Mounting hole dimension (N)</b>	11 mm
<b>Mounting hole length (N1)</b>	14 mm
<b>Dist. cent. of raceway to face IR on side opp. lock. device (S)</b>	12,7 mm
<b>Brand</b>	SNR

### OTHER FEATURES

<b>Mass</b>	0,28 kg
<b>Recommended tightening torque for set screw [Nm]</b>	3.9 N-m

### PRODUCT PERFORMANCE

<b>Dynamic load rating (C)</b>	10,9 kN
<b>Static load rating (C0)</b>	5,3 kN
<b>Operating temperature min.</b>	-20 °C
<b>Operating temperature max.</b>	100 °C