



Technical data

ESPE207

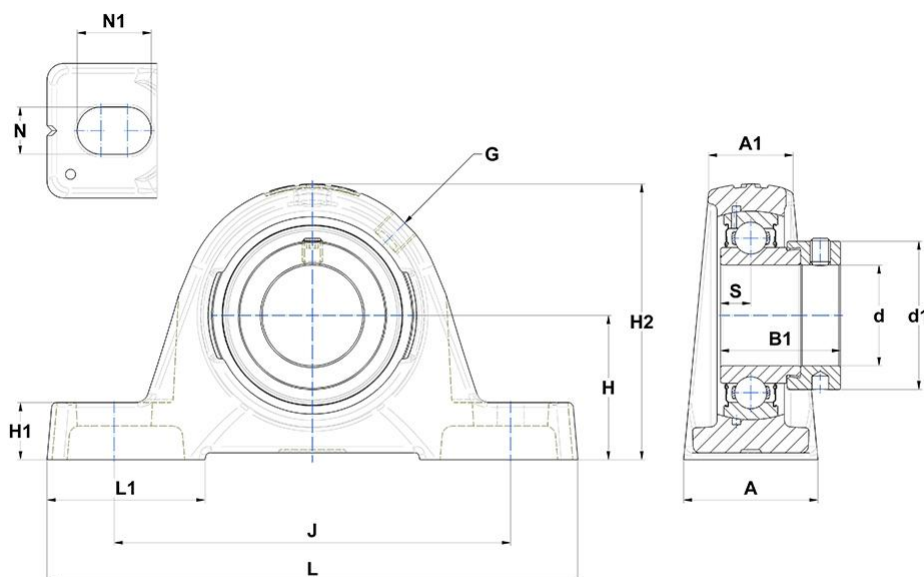
Bearing units

Grey cast housing, radial insert ball bearing with eccentric locking collar, single lip seal

KIT CONTENT

ES207G2, PE207

VISUAL (S)



OTHER FEATURES

Mass	1,6 kg
Recommended tightening torque for set screw [Nm]	11.5 N-m

PRODUCT DIMENSIONS

Housing width (A)	45 mm
Housing top width (A1)	27 mm
Width of IR (B)	25,4 mm

PRODUCT DIMENSIONS

Shaft dia (d)	35 mm
Outer dia of eccent. Lock. collar / nut of adapter sleeve (d1)	51,1 mm
Grease fitting (G)	R1/8"
Distance mounting base to centerline spheric. seating diam. (H)	47,6 mm
Housing foot height (H1)	19 mm
Housing height (H2)	93 mm
Mounting hole distance (J)	126 mm
Housing length (L)	163 mm
Housing foot length (L1)	49 mm
Mounting hole dimension (N)	14 mm
Mounting hole length (N1)	21 mm
Dist. cent. of raceway to face IR on side opp. lock. device (S)	9,5 mm
Brand	SNR

PRODUCT PERFORMANCE

Dynamic load rating (C)	25,7 kN
Static load rating (C0)	15,2 kN
Operating temperature min.	-20 °C
Operating temperature max.	100 °C