



Technical data

ESFLE205

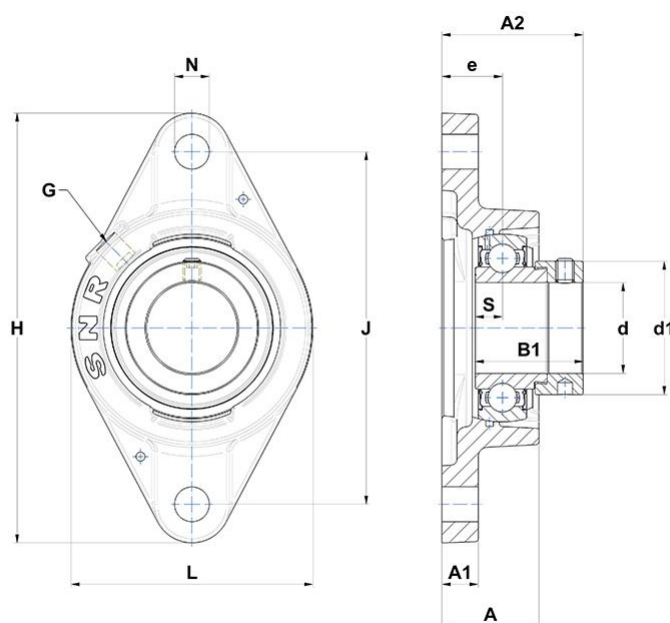
Bearing units

Grey cast housing, radial insert ball bearing with eccentric locking collar, single lip seal

KIT CONTENT

ES205G2, FLE205

VISUAL (S)



PRODUCT DEFINITION

Brand	SNR
A - Housing height	29,3 mm
A1 - Housing foot height / flange height	11 mm
A2 - Total height from mounting surface	42,4 mm
B - Width of Inner Ring	21,4 mm
B1 - Overall width Inner Ring	30,9 mm

PRODUCT DEFINITION

d - Shaft diameter	25 mm
d1 - Outer dia of eccent. Lock. collar / nut of adapter sleeve	37,4 mm
e - Distance mounting surface to bearing center	19 mm
G - Grease fitting	R1/8"
H - Housing length, width or diameter	124 mm
J - Mounting holes distance	99 mm
L - Housing width / diameter	70 mm
N - Mounting hole dimension	11,5 mm
S - Distance front side/bearing centre	7,5 mm

PRODUCT PERFORMANCE

C - Dynamic load rating	14 kN
C0 - Static load rating	7,88 kN
Operating temperature min.	-20 °C
Operating temperature max.	100 °C

OTHER FEATURES

Mass	0,59 kg
Recommended tightening torque for set screw	5.5 N-m