



## Technical data

ESFL212

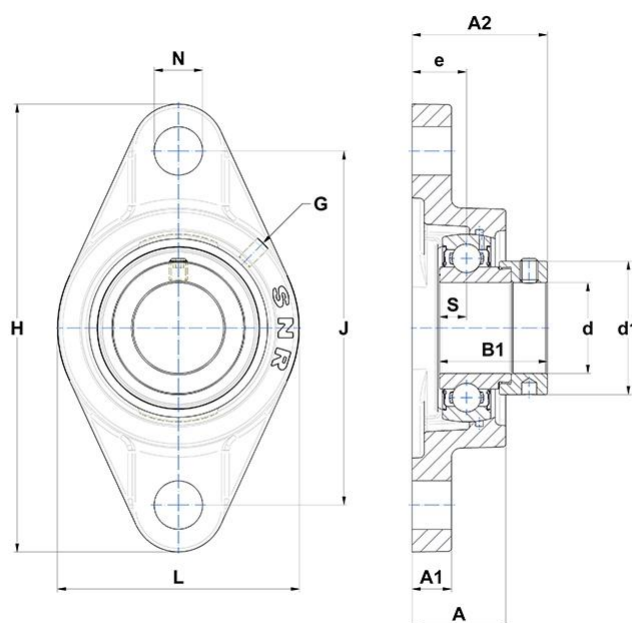
Bearing units

Grey cast housing, radial insert ball bearing with eccentric locking collar, single lip seal

### KIT CONTENT

ES212G2, FL212

### VISUAL (S)



### PRODUCT DIMENSIONS

|   |         |
|---|---------|
| Housing height (A)  | 48 mm   |
| Housing foot height / flange height (A1)                        | 18 mm   |
| Total height (Housing + Insert) from mouting surface (A2)       | 66,3 mm |
| Width of IR (B)   | 33,4 mm |
| Overall width IR incl. eccent. locking collar/adapt. sleeve(B1) | 49,3 mm |
| Shaft dia (d)   | 60 mm   |

### PRODUCT DIMENSIONS

|  |        |
|--|--------|
| <b>Outer dia of eccent. Lock. collar / nut of adapter sleeve (d1)</b>  | 82 mm  |
| <b>Distance mounting surface - bearing center (e)</b>                  | 29 mm  |
| <b>Grease fitting (G)</b>  | M6x1   |
| <b>Housing length, width or diameter (H)</b>                           | 250 mm |
| <b>Mounting hole distance (J)</b>                                      | 202 mm |
| <b>Housing width / dia (L)</b>   | 140 mm |
| <b>Mounting hole dimension (N)</b>                                     | 23 mm  |
| <b>Dist. cent. of raceway to face IR on side opp. lock. device (S)</b> | 12 mm  |
| <b>Brand</b>   | SNR    |

### PRODUCT PERFORMANCE

|                                   |         |
|-----------------------------------|---------|
| <b>Dynamic load rating (C)</b>    | 52,5 kN |
| <b>Static load rating (C0)</b>    | 32,8 kN |
| <b>Operating temperature min.</b> | -20 °C  |
| <b>Operating temperature max.</b> | 100 °C  |

### OTHER FEATURES

|   |         |
|---|---------|
| <b>Mass</b>   | 3,48 kg |
| <b>Recommended tightening torque for set screw [Nm]</b> | 22 N-m  |