



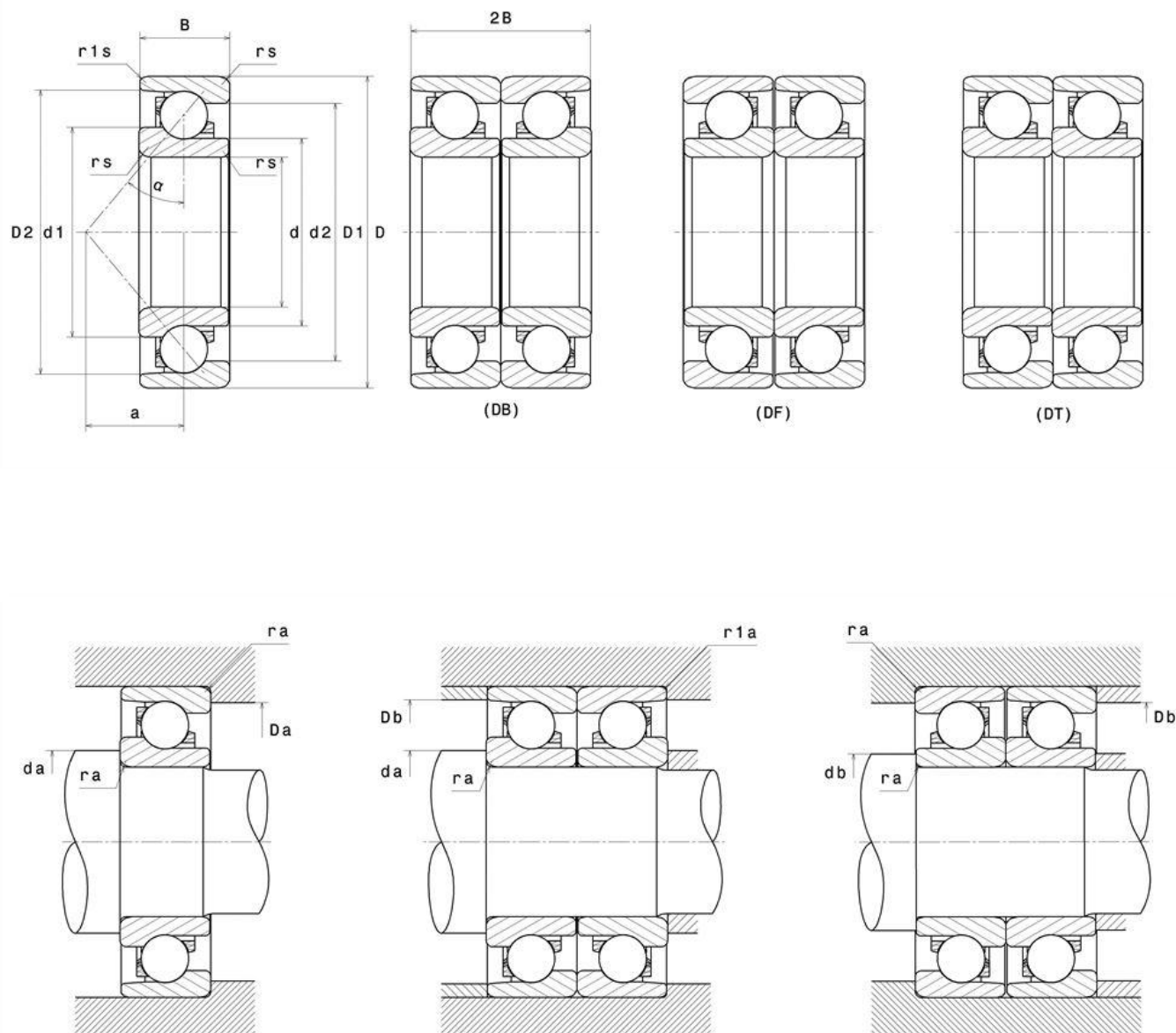
Technical data

7313BGA

Single row or matched pairs of angular contact ball bearings

Angular contact ball bearing, polyamide cage.

VISUAL (S)



7313BGA

Single row or matched pairs of angular contact ball bearings

PRODUCT DIMENSIONS

Internal diameter d	65 mm
External diameter D	140 mm
Bearing/Inner ring width(B)	33 mm
External diameter inner ring d1	94,4 mm
External diameter inner ring d2	74,6 mm
Inner diameter outer ring D1	111,5 mm
Inner diameter outer ring D2	130,6 mm
Charge load application point a	60 mm
Contact angle	40.0 °
Min fillet radius rs	2,1 mm
Min fillet radius r1s	1,1 mm
Radial clearance class	CN
Mass	2,16 kg
Brand	SNR

PRODUCT PERFORMANCE

Dynamic load, C	98,6 kN
Static load, C0	75,6 kN
Fatigue limit load, Cu	3,4 kN
Reference thermal speed (Nref)	5100 tr/min
Mechanical Limit Speed Nlim	5700 tr/min
Min operating temperature, Tmin	-20 °C
Max operating temperature, Tmax	120 °C
Characteristic cage frequency, FTF	0.411 Hz
Characteristic rolling element frequency, BSF	4.168 Hz
Characteristic outer ring frequency, BPF0	4.932 Hz
Characteristic inner ring frequency, BRFI	7.067 Hz

ABUTMENT

Min shoulder diameter IR da min	77 mm
Min IR shoulder diameter (db min)	77 mm
Max shoulder diameter OR Da max	128 mm
Max OR shoulder diameter (Db max)	133 mm

7313BGA

Single row or matched pairs of angular contact ball bearings

ABUTMENT

Maxi fillet radius r1a	1 mm
Max shaft & housing fillet radius ra max	2 mm

INDUSTRY CALCUL FACTORS

Equivalent dynamic radial load

$$P = X.F_r + Y.F_a$$

	e	Single or DT bearing arrangement				DB or DF arrangement			
		Fa / Fr ≤ e		Fa / Fr > e		Fa / Fr ≤ e		Fa / Fr > e	
		X	Y	X	Y	X	Y	X	Y
30°	0.8	1	0	0.9	0.76	1	0.78	0.63	1.24
40°	1.14			0.35	0.57		0.55	0.57	0.93

Equivalent static radial load

$$P_0 = X_0.F_r + Y_0.F_a$$

a	Single or DT bearing arrangement		DB or DF arrangement	
	X ₀	Y ₀	X ₀	Y ₀
30°	0.5	0.33	1	0.66
40°		0.26		0.52

For single or DT bearing arrangement :

If $P_0 < F_r$, then use $P_0 = F_r$