



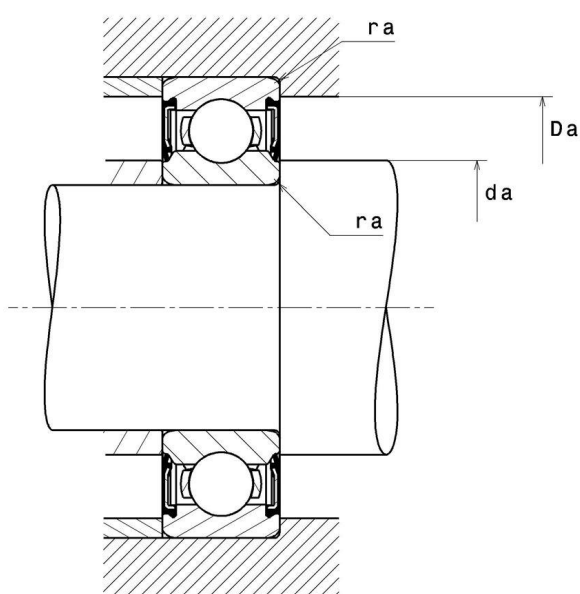
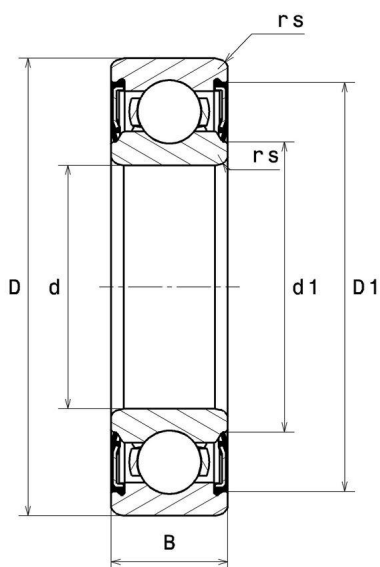
Technical data

62306EE

Single row deep groove ball bearings

Deep groove ball bearing, radial contact, pressed steel cage, contact seals on both sides

VISUAL (S)



62306EE

Single row deep groove ball bearings

PRODUCT DEFINITION

Brand	SNR
d - Internal diameter	30 mm
D - External diameter	72 mm
B - Bearing/Inner ring width	27 mm
d1 - External diameter inner ring	42,5 mm
D1 - Inner diameter outer ring	62,5 mm
rs - Min fillet radius	1,1 mm
Radial clearance class	CN
Mass	0,474 kg

PRODUCT PERFORMANCE

C - Dynamic load	29,7 kN
C0 - Static load	15,9 kN
Cu - Fatigue limit load	0,72 kN
f0 - Coefficient	13.1
Nlim - Mechanical Limit Speed	6700 tr/min
Tmin - Min operating temperature	-30 °C
Tmax - Max operating temperature	120 °C

BEARING FREQUENCIES

BPFO - Characteristic outer ring frequency (60 rpm)	3.054 Hz
BPFI - Characteristic inner ring frequency (60 rpm)	4.946 Hz
FTF - Characteristic cage frequency (60 rpm)	0.382 Hz
BSF - Characteristic rolling element frequency (60 rpm)	3.99 Hz

62306EE

Single row deep groove ball bearings

ABUTMENT

da min - Min shoulder diameter IR	36,5 mm
da max - Max shoulder diameter IR	33,6 mm
Da max - Max shoulder diameter OR	65,5 mm
ra max - Max shaft & housing fillet radius	1 mm

INDUSTRY CALCUL FACTORS

Equivalent dynamic radial load

$$P = X.F_r + Y.F_a$$

$\frac{f_0 F_a}{C_0}$	e	Fa / Fr ≤ e		Fa / Fr > e	
		X	Y	X	Y
0.172	0.19	1	0	0.56	2.3
0.345	0.22				1.99
0.689	0.26				1.71
1.03	0.28				1.55
1.38	0.3				1.45
2.07	0.34				1.31
3.45	0.38				1.15
5.17	0.42				1.04
6.89	0.44				1

Equivalent static radial load

$$P_0 = X_0.F_r + Y_0.F_a$$

X_0	Y_0
0.6	0.5

For single or DT bearing arrangement:

If $P_0 < F_r$, then use $P_0 = F_r$