

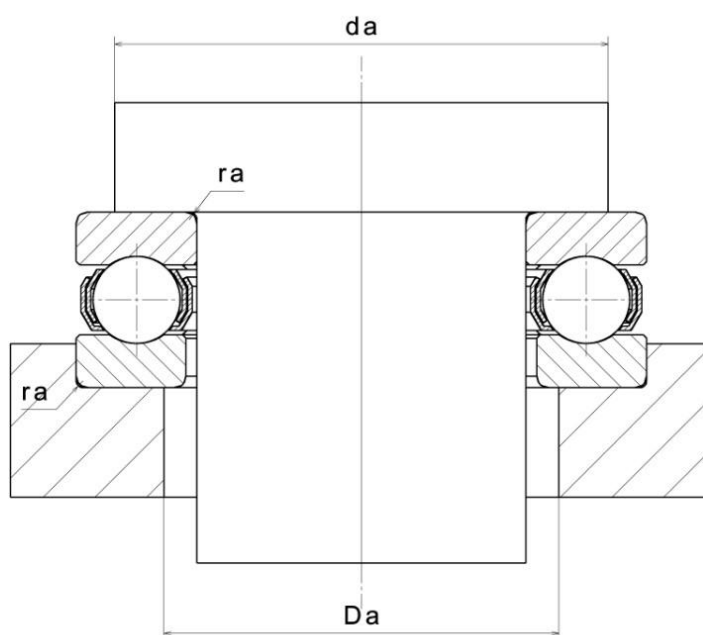
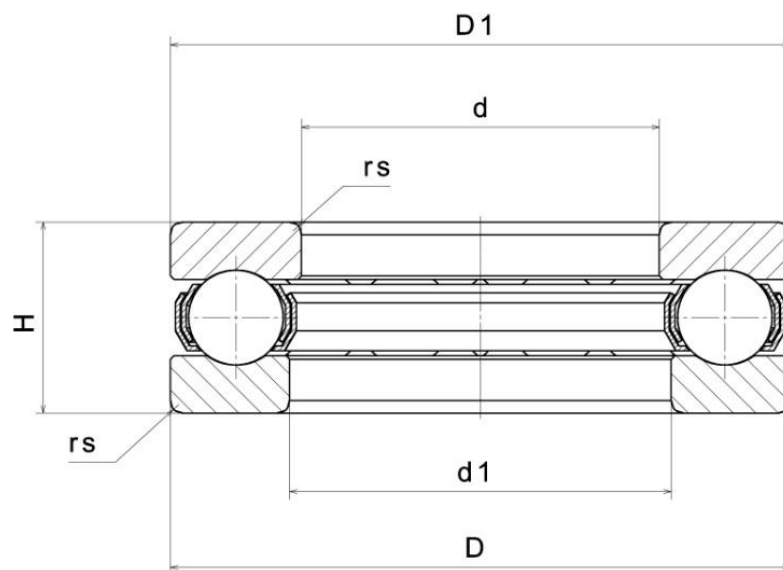


Technical data

51126

One direction thrust ball bearings

VISUAL (S)



PRODUCT DIMENSIONS

Internal diameter d	130 mm
External diameter D	170 mm
Inner diameter outer ring D1	132 mm
External diameter inner ring d1	170 mm
Thrust bearing height (T)	30 mm
Min fillet radius rs	1 mm
Mass	1,74 kg

PRODUCT PERFORMANCE

Dynamic axial load rating (Ca)	119 kN
Static axial load rating (C0a)	406 kN
Min operating temperature, Tmin	-40 °C
Max operating temperature, Tmax	120 °C
Characteristic cage frequency, FTF	0.5 Hz
Characteristic rolling element frequency, BSF	9.946 Hz
Characteristic outer ring frequency, BPF0	14.5 Hz
Characteristic inner ring frequency, BRFI	14.5 Hz

ABUTMENT

Max shaft & housing fillet radius ra max	1 mm
Max shoulder diameter OR Da max	146 mm
Min shoulder diameter IR da min	154 mm