



Technical data

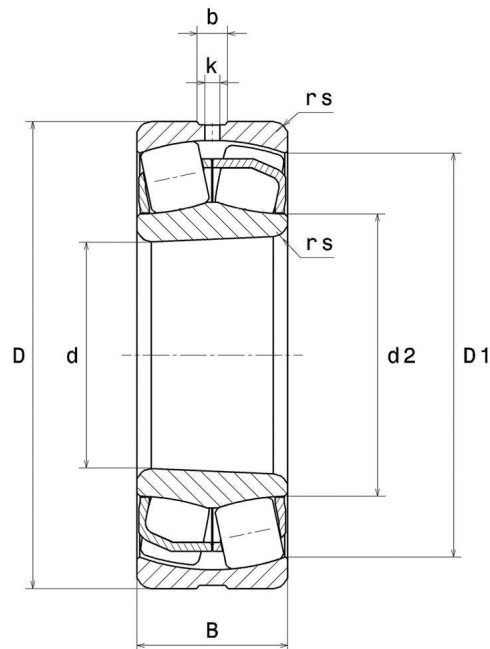
23220EAKW33C3

Spherical roller bearings

Spherical roller bearing, pressed steel cage, groove and lubrication holes on outer ring, tapered bore 1:12

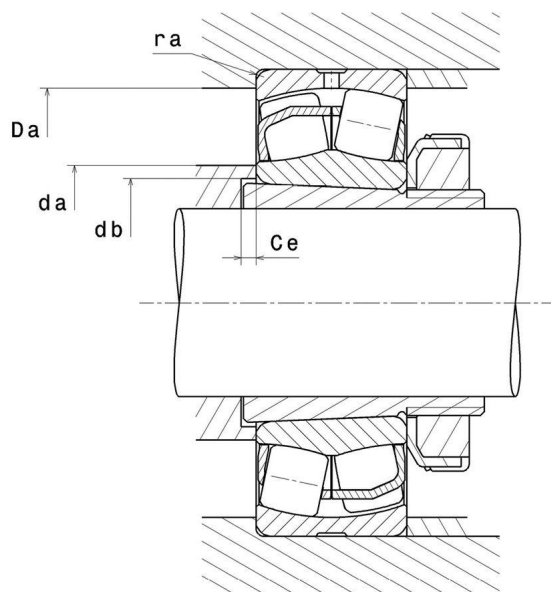
ULTAGE

VISUAL (S)



23220EAKW33C3

Spherical roller bearings



PRODUCT DIMENSIONS

Internal diameter (d)	100 mm
External diameter (D)	180 mm
Bearing/Inner ring width (B)	60,3 mm
External diameter inner ring (d2)	118,2 mm
Inner diameter outer ring (D1)	158,9 mm
Min fillet radius (rs)	2,1 mm
Number of lubrication holes	3 or 4
Groove width (b)	9,44 mm
Hole diameter (k)	4,5 mm
Associated sleeve reference	H2320
Coef (e)	0.31
Lower axial load coef (Y1)	2.18
Upper axial load coef (Y2)	3.24

PRODUCT DIMENSIONS

Static axial load coef (Y0)	2.13
Radial clearance class	C3
Mass	6,22 kg
Brand	SNR

PRODUCT PERFORMANCE

Dynamic load (C)	586 kN
Static load (C0)	661 kN
Fatigue limit load (Cu)	72,3 kN
Reference thermal speed (Nref)	2600 tr/min
Mechanical Limit Speed (Nlim)	3300 tr/min
Min operating temperature (Tmin)	-40 °C
Max operating temperature (Tmax)	200 °C

ABUTMENT

Max shoulder diameter IR (da max)	0 mm
Min shoulder diameter IR (da min)	112 mm
Min diameter for Sleeve (db)	110 mm
Min length fro Sleeve (Ce)	19 mm
Max shoulder diameter OR (Da max)	168 mm
Max shaft & housing fillet radius (ra max)	2 mm

INDUSTRY CALCUL FACTORS

Equivalent dynamic radial load

$$P = X.F_r + Y.F_a$$

Fa / Fr ≤ e		Fa / Fr > e	
X	Y	X	Y
1	Y1	0.67	Y2

Equivalent static radial load

$$P_0 = X_0.F_r + Y_0.F_a$$

X ₀	Y ₀
1	Y0

The values for e, Y1, Y2 and Y0 are shown in the above table .