



Technical data

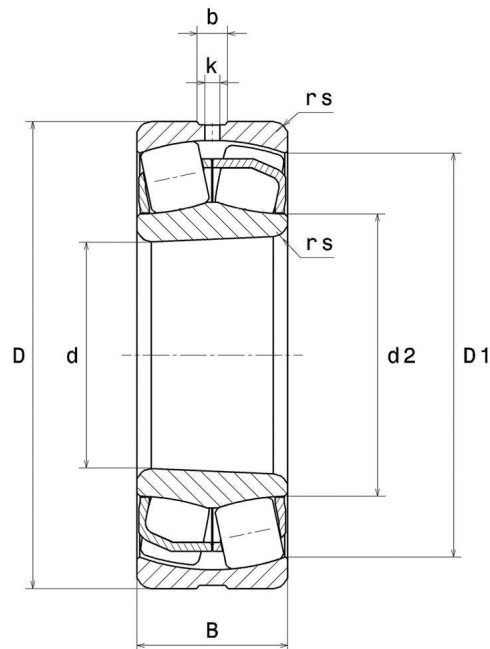
23220EAKW33

Spherical roller bearings

Spherical roller bearing, pressed steel cage, groove and lubrication holes on outer ring, tapered bore 1:12

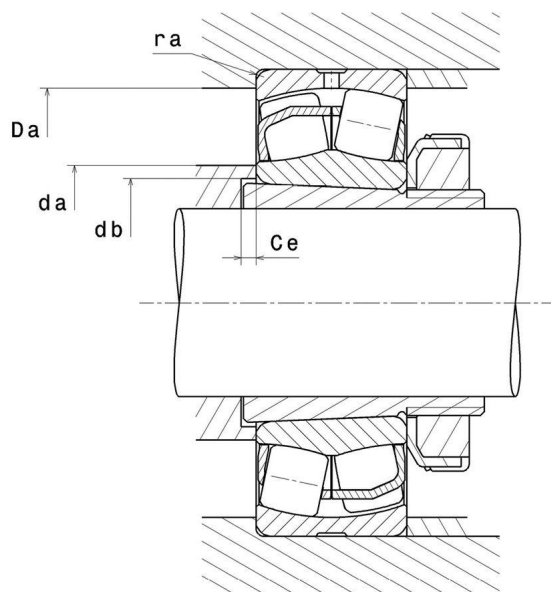
ULTAGE

VISUAL (S)



23220EAKW33

Spherical roller bearings



PRODUCT DIMENSIONS

Internal diameter d	100 mm
External diameter D	180 mm
Bearing/Inner ring width(B)	60,3 mm
External diameter inner ring d2	118,2 mm
Inner diameter outer ring D1	158,9 mm
Min fillet radius rs	2,1 mm
Number of lubrication holes	3 or 4
Groove width (b)	9,44 mm
Hole diameter (k)	4,5 mm
Associated sleeve reference	H2320
Coef e	0.31
Lower axial load coef (Y1)	2.18
Upper axial load coef (Y2)	3.24
Static axial load coef (Y0)	2.13
Radial clearance class	CN
Mass	6,22 kg
Brand	SNR

PRODUCT PERFORMANCE

NTN-SNR ROULEMENTS

www.ntn-snr.com

1 rue des Usines - 74010 Annecy Cedex - France - Tel. +33 (0)4 50 65 30 00
 S.A. au capital de 123 599 542 € - RCS ANNECY B 325 821 072 - Id. Fiscale : FR 48 325 821 072
 SIRET 325 821 072 00015 - Code APE 2815 Z - Code NACE 28.15

PRODUCT PERFORMANCE

Dynamic load, C	586 kN
Static load, C0	661 kN
Fatigue limit load, Cu	72,3 kN
Reference thermal speed (Nref)	2600 tr/min
Mechanical Limit Speed Nlim	3300 tr/min
Min operating temperature, Tmin	-40 °C
Max operating temperature, Tmax	200 °C
Characteristic cage frequency, FTF	0.425 Hz
Characteristic rolling element frequency, BSF	6.341 Hz
Characteristic outer ring frequency, BPF0	7.642 Hz
Characteristic inner ring frequency, BPGI	10.358 Hz

ABUTMENT

Max shoulder diameter IR da max	0 mm
Min shoulder diameter IR da min	112 mm
Min diameter for Sleeve db	110 mm
Min length fro Sleeve Ce	19 mm
Max shoulder diameter OR Da max	168 mm
Max shaft & housing fillet radius ra max	2 mm

INDUSTRY CALCUL FACTORS

Equivalent dynamic radial load

$$P = X.F_r + Y.F_a$$

Fa / Fr ≤ e		Fa / Fr > e	
X	Y	X	Y
1	Y1	0.67	Y2

Equivalent static radial load

$$P_0 = X_0.F_r + Y_0.F_a$$

X ₀	Y ₀
1	Y0

The values for e, Y1, Y2 and Y0 are shown in the above table .