



Technical data

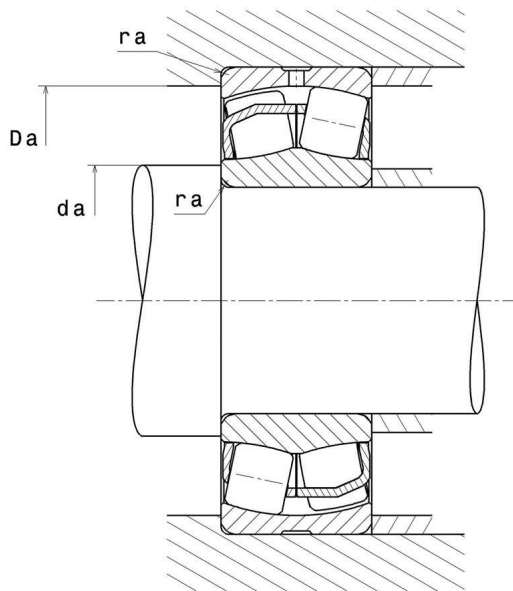
23120EAW33

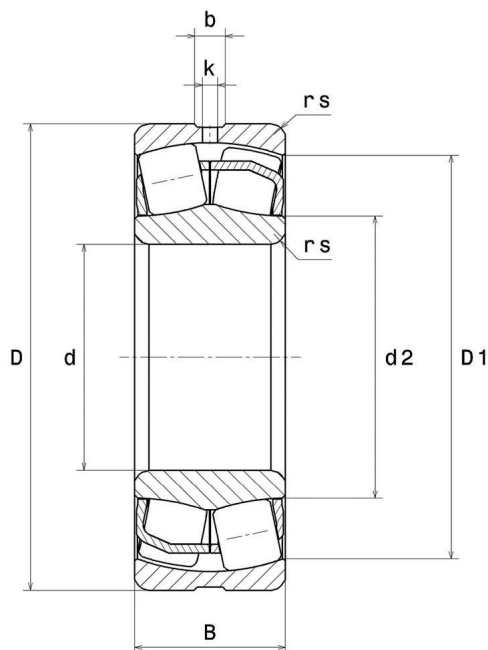
Spherical roller bearings

Spherical roller bearing, pressed steel cage, groove and lubrication holes on outer ring

ULTAGE

VISUAL (S)





PRODUCT DIMENSIONS

Internal diameter (d)	100 mm
External diameter (D)	165 mm
Bearing/Inner ring width (B)	52 mm
External diameter inner ring (d2)	114,7 mm
Inner diameter outer ring (D1)	146,9 mm
Min fillet radius (rs)	2 mm
Number of lubrication holes	3 or 4
Groove width (b)	8,39 mm
Hole diameter (k)	4 mm
Coef (e)	0.28
Lower axial load coef (Y1)	2.39
Upper axial load coef (Y2)	3.56
Static axial load coef (Y0)	2.34

PRODUCT DIMENSIONS

Radial clearance class	CN
Mass	4,34 kg
Brand	SNR

PRODUCT PERFORMANCE

Dynamic load (C)	464 kN
Static load (C0)	563 kN
Fatigue limit load (Cu)	62,8 kN
Reference thermal speed (Nref)	3200 tr/min
Mechanical Limit Speed (Nlim)	3900 tr/min
Min operating temperature (Tmin)	-40 °C
Max operating temperature (Tmax)	200 °C

ABUTMENT

Max shoulder diameter IR (da max)	0 mm
Min shoulder diameter IR (da min)	111 mm
Max shoulder diameter OR (Da max)	154 mm
Max shaft & housing fillet radius (ra max)	2 mm

INDUSTRY CALCUL FACTORS

Equivalent dynamic radial load

$$P = X.F_r + Y.F_a$$

Fa / Fr ≤ e		Fa / Fr > e	
X	Y	X	Y
1	Y1	0.67	Y2

Equivalent static radial load

$$P_0 = X_0.F_r + Y_0.F_a$$

X ₀	Y ₀
1	Y0

The values for e, Y1, Y2 and Y0 are shown in the above table .