



Technical data

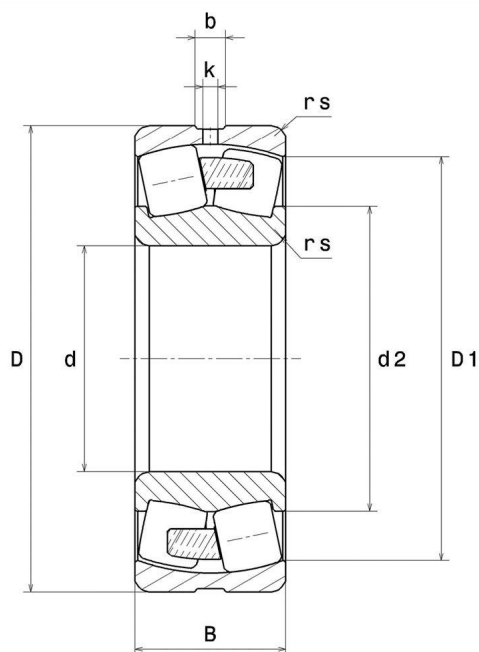
22332EMW33

Spherical roller bearings

Spherical roller bearing, one-piece machined cage, groove and lubrication holes on outer ring

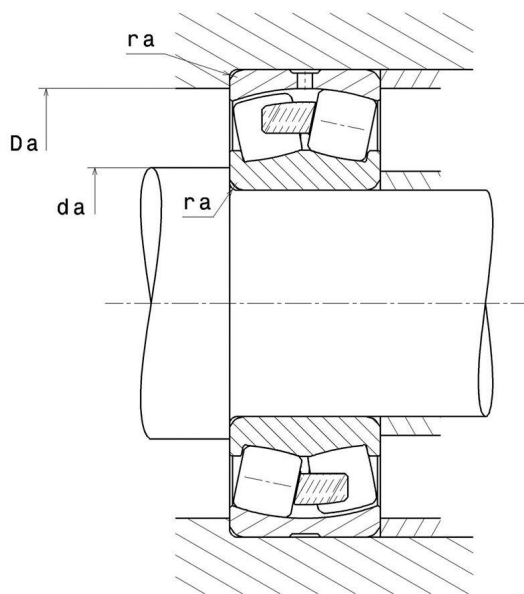
ULTAGE

VISUAL (S)



22332EMW33

Spherical roller bearings



PRODUCT DIMENSIONS

Internal diameter d	160 mm
External diameter D	340 mm
Bearing/Inner ring width(B)	114 mm
External diameter inner ring d2	219 mm
Inner diameter outer ring D1	295,2 mm
Min fillet radius rs	4 mm
Number of lubrication holes	3 or 8
Groove width (b)	20,26 mm
Hole diameter (k)	10 mm
Coef e	0.33
Lower axial load coef (Y1)	2.03
Upper axial load coef (Y2)	3.02
Static axial load coef (Y0)	1.98
Radial clearance class	CN
Mass	50,7 kg
Brand	SNR

PRODUCT PERFORMANCE

Dynamic load, C	1950 kN
------------------------	---------

PRODUCT PERFORMANCE

Static load, C0	2210 kN
Fatigue limit load, Cu	202 kN
Reference thermal speed (Nref)	1400 tr/min
Mechanical Limit Speed Nlim	1900 tr/min
Min operating temperature, Tmin	-40 °C
Max operating temperature, Tmax	200 °C
Characteristic cage frequency, FTF	0.411 Hz
Characteristic rolling element frequency, BSF	5.33 Hz
Characteristic outer ring frequency, BPF0	6.581 Hz
Characteristic inner ring frequency, BRFI	9.419 Hz

ABUTMENT

Max shoulder diameter IR da max	0 mm
Min shoulder diameter IR da min	177 mm
Max shoulder diameter OR Da max	323 mm
Max shaft & housing fillet radius ra max	3 mm

INDUSTRY CALCUL FACTORS

Equivalent dynamic radial load

$$P = X.F_r + Y.F_a$$

Fa / Fr ≤ e		Fa / Fr > e	
X	Y	X	Y
1	Y1	0.67	Y2

Equivalent static radial load

$$P_0 = X_0.F_r + Y_0.F_a$$

X ₀	Y ₀
1	Y0

The values for e, Y1, Y2 and Y0 are shown in the above table .