



Technical data

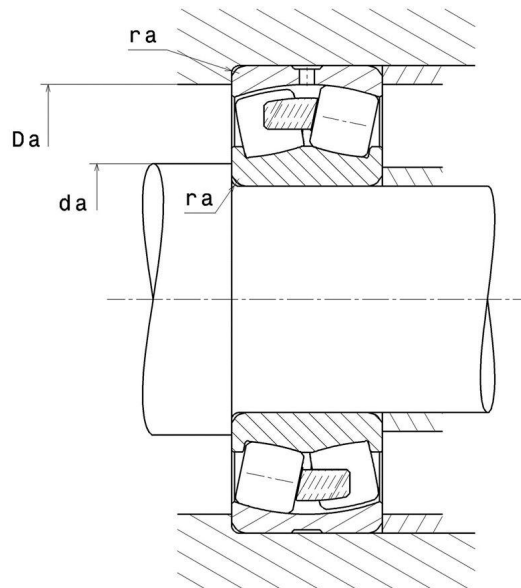
22234EMW33C3

Spherical roller bearings

Spherical roller bearing, one-piece machined cage, groove and lubrication holes on outer ring

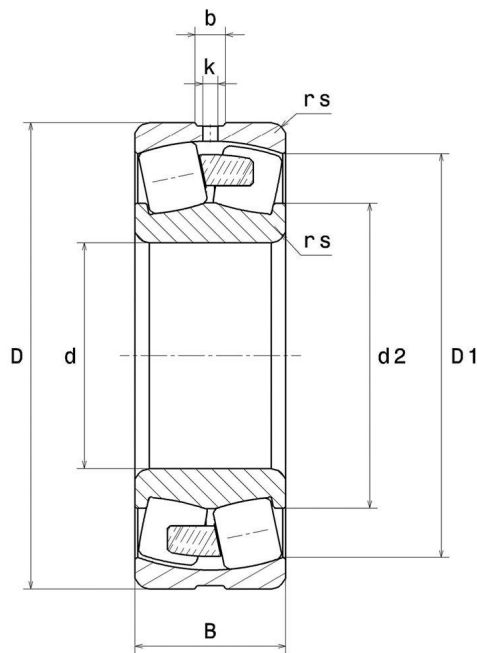
ULTAGE

VISUAL (S)



22234EMW33C3

Spherical roller bearings



PRODUCT DIMENSIONS

Internal diameter d	170 mm
External diameter D	310 mm
Bearing/Inner ring width(B)	86 mm
Inner diameter outer ring D1	276,4 mm
Min fillet radius rs	4 mm
Number of lubrication holes	3 or 4
Groove width (b)	17,98 mm
Hole diameter (k)	8 mm
Coef e	0.26
Lower axial load coef (Y1)	2.6
Upper axial load coef (Y2)	3.87
Static axial load coef (Y0)	2.54
Radial clearance class	C3
Mass	28,177 kg
Brand	SNR

PRODUCT PERFORMANCE

Dynamic load, C	1400 kN
Static load, C0	1610 kN

PRODUCT PERFORMANCE

Fatigue limit load, Cu	150 kN
Reference thermal speed (Nref)	1900 tr/min
Mechanical Limit Speed Nlim	2700 tr/min
Min operating temperature, Tmin	-40 °C
Max operating temperature, Tmax	200 °C
Characteristic cage frequency, FTF	0.421 Hz
Characteristic rolling element frequency, BSF	6.106 Hz
Characteristic outer ring frequency, BPF0	7.584 Hz
Characteristic inner ring frequency, BPGI	10.416 Hz

ABUTMENT

Max shoulder diameter IR da max	0 mm
Min shoulder diameter IR da min	187 mm
Max shoulder diameter OR Da max	293 mm
Max shaft & housing fillet radius ra max	3 mm

INDUSTRY CALCUL FACTORS

Equivalent dynamic radial load

$$P = X.F_r + Y.F_a$$

Fa / Fr ≤ e		Fa / Fr > e	
X	Y	X	Y
1	Y1	0.67	Y2

Equivalent static radial load

$$P_0 = X_0.F_r + Y_0.F_a$$

X ₀	Y ₀
1	Y0

The values for e, Y1, Y2 and Y0 are shown in the above table .