



Technical data

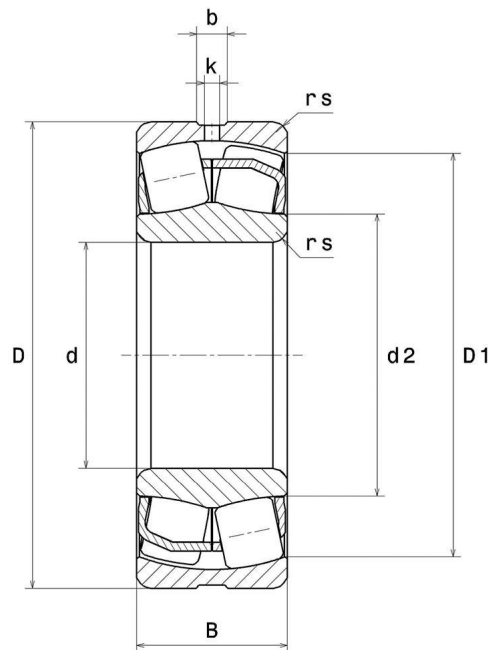
22216EAW33

Spherical roller bearings

Spherical roller bearing, pressed steel cage, groove and lubrication holes on outer ring

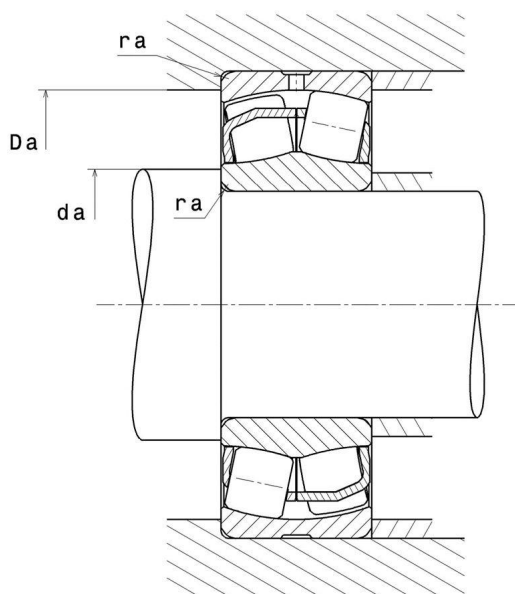
ULTAGE

VISUAL (S)



22216EAW33

Spherical roller bearings



PRODUCT DIMENSIONS

Internal diameter d	80 mm
External diameter D	140 mm
Bearing/Inner ring width(B)	33 mm
External diameter inner ring d2	94 mm
Inner diameter outer ring D1	127 mm
Min fillet radius rs	2 mm
Number of lubrication holes	3 or 4
Groove width (b)	7,87 mm
Hole diameter (k)	3,5 mm
Coef e	0.22
Lower axial load coef (Y1)	3.14
Upper axial load coef (Y2)	4.67
Static axial load coef (Y0)	3.07
Radial clearance class	CN
Mass	2,071 kg
Brand	SNR

PRODUCT PERFORMANCE

Dynamic load, C	278 kN
------------------------	--------

PRODUCT PERFORMANCE

Static load, C₀	287 kN
Fatigue limit load, C_u	33,8 kN
Reference thermal speed (N_{ref})	4300 tr/min
Mechanical Limit Speed N_{lim}	5800 tr/min
Min operating temperature, T_{min}	-40 °C
Max operating temperature, T_{max}	200 °C
Characteristic cage frequency, FTF	0.428 Hz
Characteristic rolling element frequency, BSF	6.684 Hz
Characteristic outer ring frequency, BPF₀	8.123 Hz
Characteristic inner ring frequency, BPF_I	10.877 Hz

ABUTMENT

Max shoulder diameter IR da max	0 mm
Min shoulder diameter IR da min	91 mm
Max shoulder diameter OR Da max	129 mm
Max shaft & housing fillet radius ra max	2 mm

INDUSTRY CALCUL FACTORS

Equivalent dynamic radial load

$$P = X.F_r + Y.F_a$$

Fa / Fr ≤ e		Fa / Fr > e	
X	Y	X	Y
1	Y1	0.67	Y2

Equivalent static radial load

$$P_0 = X_0.F_r + Y_0.F_a$$

X ₀	Y ₀
1	Y0

The values for e, Y1, Y2 and Y0 are shown in the above table .