



Technical data

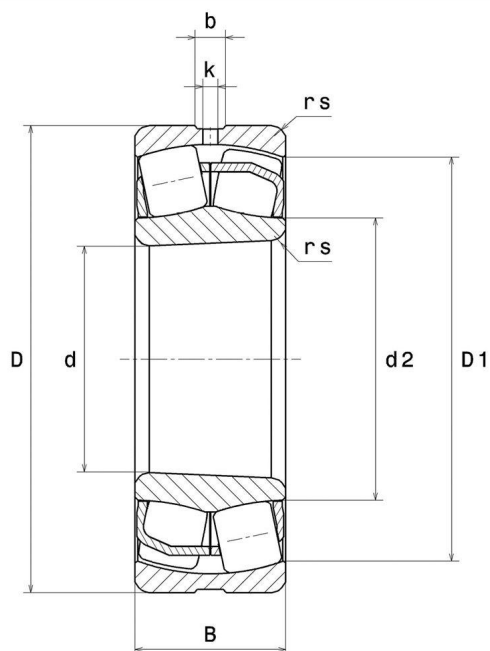
22211EAKW33C3

Spherical roller bearings

Spherical roller bearing, pressed steel cage, groove and lubrication holes on outer ring, tapered bore 1:12

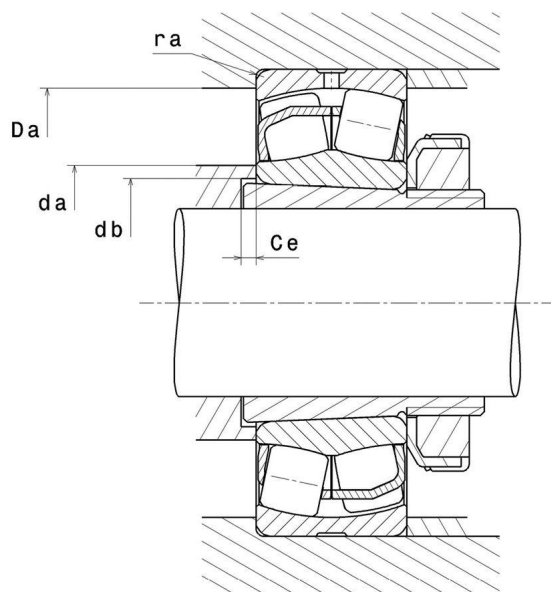
ULTAGE

VISUAL (S)



22211EAKW33C3

Spherical roller bearings



PRODUCT DIMENSIONS

Internal diameter d	55 mm
External diameter D	100 mm
Bearing/Inner ring width(B)	25 mm
External diameter inner ring d2	66 mm
Inner diameter outer ring D1	89,7 mm
Min fillet radius rs	1,5 mm
Number of lubrication holes	3 or 4
Groove width (b)	6,35 mm
Hole diameter (k)	3 mm
Associated sleeve reference	H311
Coef e	0.23
Lower axial load coef (Y1)	2.95
Upper axial load coef (Y2)	4.39
Static axial load coef (Y0)	2.89
Radial clearance class	C3
Mass	0,766 kg
Brand	SNR

PRODUCT PERFORMANCE

NTN-SNR ROULEMENTS

www.ntn-snr.com

1 rue des Usines - 74010 Annecy Cedex - France - Tel. +33 (0)4 50 65 30 00

S.A. au capital de 123 599 542 € - RCS ANNECY B 325 821 072 - Id. Fiscale : FR 48 325 821 072

SIRET 325 821 072 00015 - Code APE 2815 Z - Code NACE 28.15

PRODUCT PERFORMANCE

Dynamic load, C	155 kN
Static load, C0	148 kN
Fatigue limit load, Cu	18 kN
Reference thermal speed (Nref)	6100 tr/min
Mechanical Limit Speed Nlim	8200 tr/min
Min operating temperature, Tmin	-40 °C
Max operating temperature, Tmax	200 °C
Characteristic cage frequency, FTF	0.423 Hz
Characteristic rolling element frequency, BSF	6.287 Hz
Characteristic outer ring frequency, BPF0	7.618 Hz
Characteristic inner ring frequency, BPGI	10.382 Hz

ABUTMENT

Max shoulder diameter IR da max	0 mm
Min shoulder diameter IR da min	64 mm
Min diameter for Sleeve db	60 mm
Min length fro Sleeve Ce	10 mm
Max shoulder diameter OR Da max	91 mm
Max shaft & housing fillet radius ra max	1,5 mm

INDUSTRY CALCUL FACTORS

Equivalent dynamic radial load

$$P = X.F_r + Y.F_a$$

Fa / Fr ≤ e		Fa / Fr > e	
X	Y	X	Y
1	Y1	0.67	Y2

Equivalent static radial load

$$P_0 = X_0.F_r + Y_0.F_a$$

X ₀	Y ₀
1	Y0

The values for e, Y1, Y2 and Y0 are shown in the above table .