



## Technical data

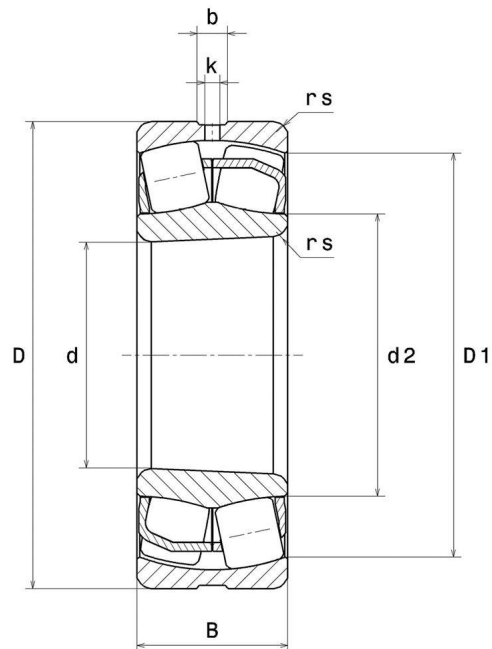
### 22211EAKW33

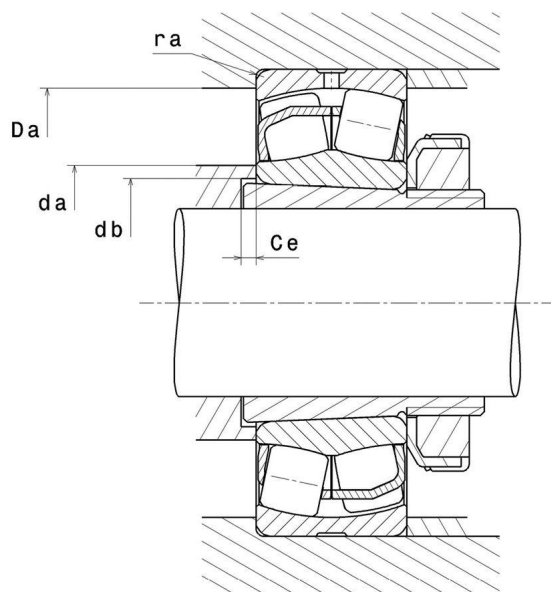
Spherical roller bearings

Spherical roller bearing, pressed steel cage, groove and lubrication holes on outer ring, tapered bore 1:12

**ULTAGE**

### VISUAL (S)





### PRODUCT DIMENSIONS

<b>Internal diameter (d)</b>	55 mm
<b>External diameter (D)</b>	100 mm
<b>Bearing/Inner ring width (B)</b>	25 mm
<b>External diameter inner ring (d2)</b>	66 mm
<b>Inner diameter outer ring (D1)</b>	89,7 mm
<b>Min fillet radius (rs)</b>	1,5 mm
<b>Number of lubrication holes</b>	3 or 4
<b>Groove width (b)</b>	6,35 mm
<b>Hole diameter (k)</b>	3 mm
<b>Associated sleeve reference</b>	H311
<b>Coef (e)</b>	0.23
<b>Lower axial load coef (Y1)</b>	2.95
<b>Upper axial load coef (Y2)</b>	4.39

### PRODUCT DIMENSIONS

Static axial load coef (Y0)	2.89
Radial clearance class	CN
Mass	0,766 kg
Brand	SNR

### PRODUCT PERFORMANCE

Dynamic load (C)	155 kN
Static load (C0)	148 kN
Fatigue limit load (Cu)	18 kN
Reference thermal speed (Nref)	6100 tr/min
Mechanical Limit Speed (Nlim)	8200 tr/min
Min operating temperature (Tmin)	-40 °C
Max operating temperature (Tmax)	200 °C

### ABUTMENT

Max shoulder diameter IR (da max)	0 mm
Min shoulder diameter IR (da min)	64 mm
Min diameter for Sleeve (db)	60 mm
Min length fro Sleeve (Ce)	10 mm
Max shoulder diameter OR (Da max)	91 mm
Max shaft & housing fillet radius (ra max)	1,5 mm

**INDUSTRY CALCUL FACTORS**

**Equivalent dynamic radial load**

$$P = X.F_r + Y.F_a$$

Fa / Fr ≤ e		Fa / Fr > e	
X	Y	X	Y
1	Y1	0.67	Y2

**Equivalent static radial load**

$$P_o = X_o.F_r + Y_o.F_a$$

X <sub>o</sub>	Y <sub>o</sub>
1	Y0

The values for e, Y1, Y2 and Y0 are shown in the above table .