



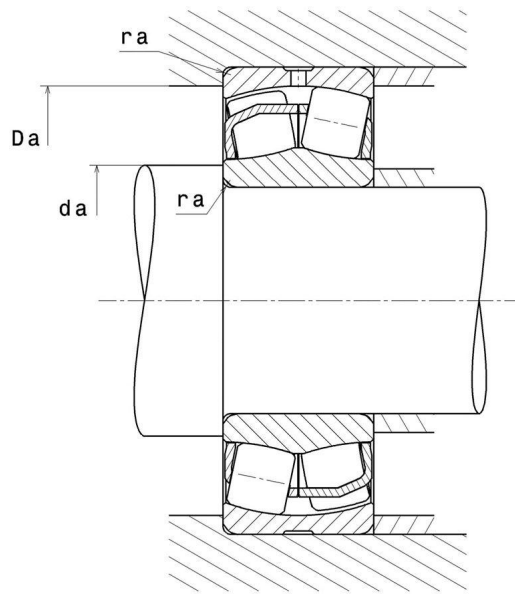
Technical data

22207EAW33C3
Spherical roller bearings

Spherical roller bearing, pressed steel cage, groove and lubrication holes on outer ring

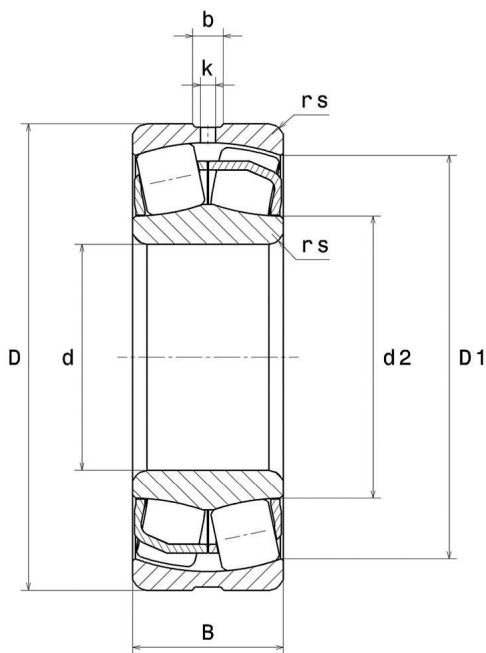
ULTAGE

VISUAL (S)



22207EAW33C3

Spherical roller bearings



PRODUCT DIMENSIONS

Internal diameter d	35 mm
External diameter D	72 mm
Bearing/Inner ring width(B)	23 mm
External diameter inner ring d2	45,1 mm
Inner diameter outer ring D1	63 mm
Min fillet radius rs	1,1 mm
Number of lubrication holes	3 or 4
Groove width (b)	4,9 mm
Hole diameter (k)	2 mm
Coef e	0.31
Lower axial load coef (Y1)	2.21
Upper axial load coef (Y2)	3.29
Static axial load coef (Y0)	2.16
Radial clearance class	C3
Mass	0,44 kg
Brand	SNR

PRODUCT PERFORMANCE

Dynamic load, C	100 kN
------------------------	--------

PRODUCT PERFORMANCE

Static load, C0	92 kN
Fatigue limit load, Cu	11,2 kN
Reference thermal speed (Nref)	9500 tr/min
Mechanical Limit Speed Nlim	12000 tr/min
Min operating temperature, Tmin	-40 °C
Max operating temperature, Tmax	200 °C
Characteristic cage frequency, FTF	0.417 Hz
Characteristic rolling element frequency, BSF	5.753 Hz
Characteristic outer ring frequency, BPF0	6.675 Hz
Characteristic inner ring frequency, BPFI	9.325 Hz

ABUTMENT

Max shoulder diameter IR da max	0 mm
Min shoulder diameter IR da min	42 mm
Max shoulder diameter OR Da max	65 mm
Max shaft & housing fillet radius ra max	1 mm

INDUSTRY CALCUL FACTORS

Equivalent dynamic radial load

$$P = X.F_r + Y.F_a$$

Fa / Fr ≤ e		Fa / Fr > e	
X	Y	X	Y
1	Y1	0.67	Y2

Equivalent static radial load

$$P_0 = X_0.F_r + Y_0.F_a$$

X ₀	Y ₀
1	Y0

The values for e, Y1, Y2 and Y0 are shown in the above table .