



Technical data

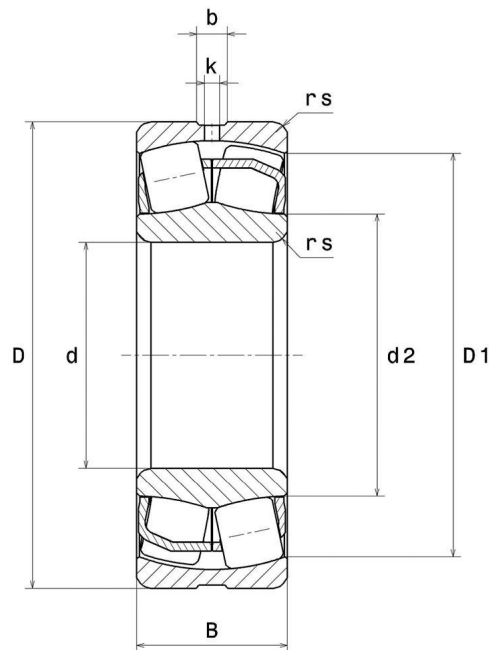
22206EAW33

Spherical roller bearings

Spherical roller bearing, pressed steel cage, groove and lubrication holes on outer ring

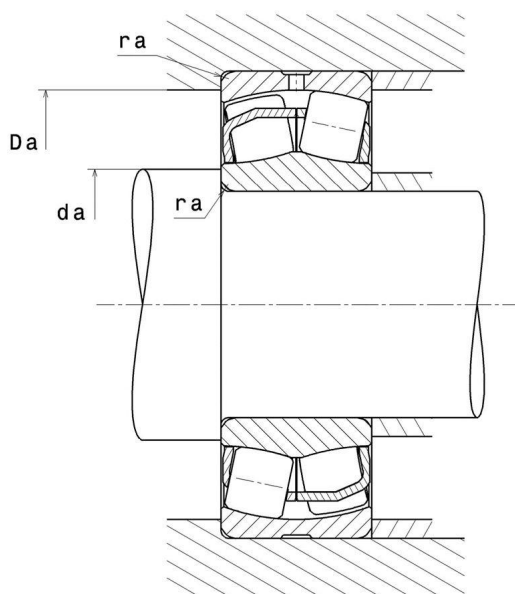
ULTAGE

VISUAL (S)



22206EAW33

Spherical roller bearings



PRODUCT DIMENSIONS

Internal diameter d	30 mm
External diameter D	62 mm
Bearing/Inner ring width(B)	20 mm
External diameter inner ring d2	37,5 mm
Inner diameter outer ring D1	54,3 mm
Min fillet radius rs	1 mm
Number of lubrication holes	3 or 4
Groove width (b)	4,39 mm
Hole diameter (k)	2 mm
Coef e	0.31
Lower axial load coef (Y1)	2.15
Upper axial load coef (Y2)	3.2
Static axial load coef (Y0)	2.1
Radial clearance class	CN
Mass	0,272 kg
Brand	SNR

PRODUCT PERFORMANCE

Dynamic load, C	75,7 kN
------------------------	---------

PRODUCT PERFORMANCE

Static load, C0	64,5 kN
Fatigue limit load, Cu	7,9 kN
Reference thermal speed (Nref)	11000 tr/min
Mechanical Limit Speed Nlim	14000 tr/min
Min operating temperature, Tmin	-40 °C
Max operating temperature, Tmax	200 °C
Characteristic cage frequency, FTF	0.41 Hz
Characteristic rolling element frequency, BSF	5.249 Hz
Characteristic outer ring frequency, BPF0	6.147 Hz
Characteristic inner ring frequency, BPFI	8.853 Hz

ABUTMENT

Max shoulder diameter IR da max	0 mm
Min shoulder diameter IR da min	35,6 mm
Max shoulder diameter OR Da max	56,4 mm
Max shaft & housing fillet radius ra max	1 mm

INDUSTRY CALCUL FACTORS

Equivalent dynamic radial load

$$P = X.F_r + Y.F_a$$

Fa / Fr ≤ e		Fa / Fr > e	
X	Y	X	Y
1	Y1	0.67	Y2

Equivalent static radial load

$$P_0 = X_0.F_r + Y_0.F_a$$

X ₀	Y ₀
1	Y0

The values for e, Y1, Y2 and Y0 are shown in the above table .