



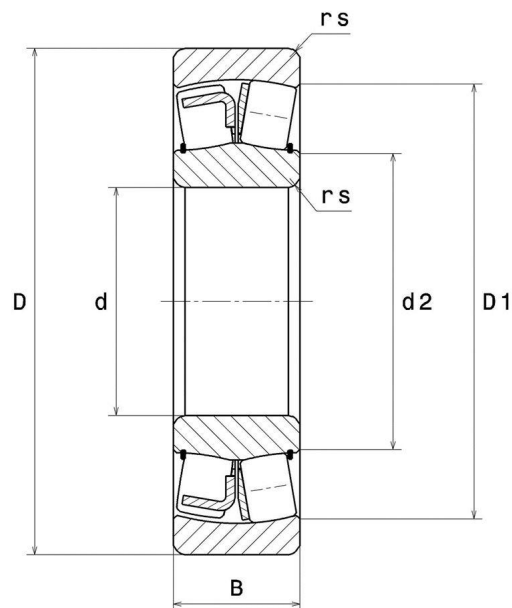
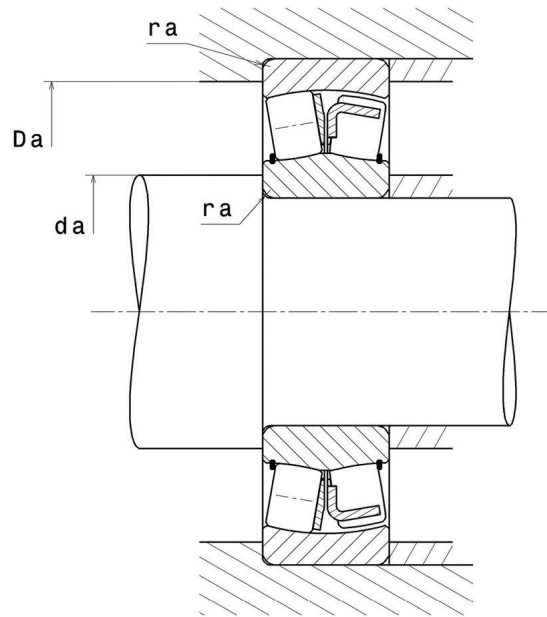
Technical data

21305V

Spherical roller bearings

Spherical roller bearing, pressed steel cage

VISUAL (S)



PRODUCT DIMENSIONS

Internal diameter (d)	25 mm
External diameter (D)	62 mm
Bearing/Inner ring width (B)	17 mm
External diameter inner ring (d2)	34,5 mm
Inner diameter outer ring (D1)	51,2 mm
Min fillet radius (rs)	1,1 mm
Number of lubrication holes	0
Groove width (b)	0 mm
Coef (e)	0.29
Lower axial load coef (Y1)	2.33
Upper axial load coef (Y2)	3.47
Static axial load coef (Y0)	2.28
Radial clearance class	CN
Mass	0,257 kg
Brand	SNR

PRODUCT PERFORMANCE

Dynamic load (C)	51,1 kN
Static load (C0)	40,3 kN
Fatigue limit load (Cu)	4,9 kN
Reference thermal speed (Nref)	8800 tr/min
Mechanical Limit Speed (Nlim)	14000 tr/min
Min operating temperature (Tmin)	-40 °C
Max operating temperature (Tmax)	200 °C

ABUTMENT

Max shoulder diameter IR (da max)	0 mm
Min shoulder diameter IR (da min)	32 mm
Max shoulder diameter OR (Da max)	55 mm
Max shaft & housing fillet radius (ra max)	1 mm

INDUSTRY CALCUL FACTORS

Equivalent dynamic radial load

$$P = X.F_r + Y.F_a$$

Fa / Fr ≤ e		Fa / Fr > e	
X	Y	X	Y
1	Y1	0.67	Y2

Equivalent static radial load

$$P_0 = X_0.F_r + Y_0.F_a$$

X ₀	Y ₀
1	Y0

The values for e, Y1, Y2 and Y0 are shown in the above table .