



Technical data

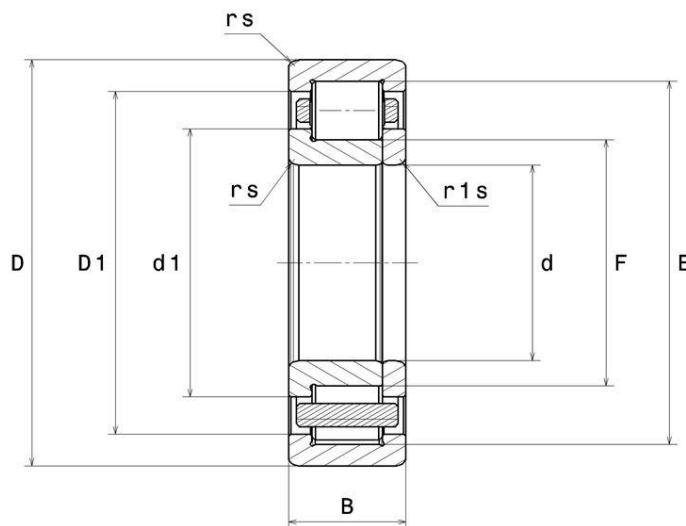
NUP307EAT2XU

Single row cylindrical roller bearings

Single row cylindrical roller bearing, locating, separable, polyamide cage

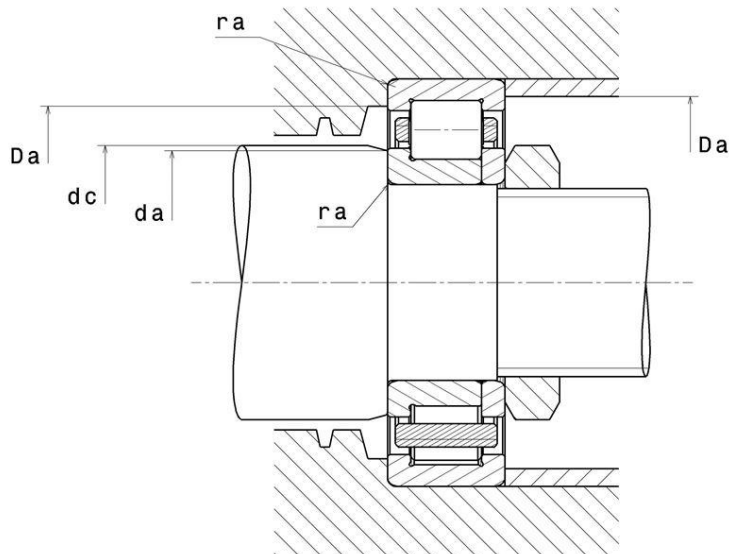
ULTAGE

VISUAL (S)



NUP307EAT2XU

Single row cylindrical roller bearings



PRODUCT DIMENSIONS

Internal diameter d	35 mm
External diameter D	80 mm
Bearing/Inner ring width(B)	21 mm
Upper roller diameter E	70,2 mm
Under roller diameter F	46,2 mm
d1	51 mm
Min fillet radius rs	1,5 mm
Min fillet radius r1s	1,1 mm
Radial clearance class	CN
Mass	0,505 kg
Brand	NTN

ABUTMENT

Min shoulder diameter IR da min	41,5 mm
Min NJ & N type IR GO diameter dc min	53 mm
Max shoulder diameter OR Da max	72 mm
Max fillet radius ra max	1,5 mm
Maxi fillet radius r1a	1 mm

NUP307EAT2XU

Single row cylindrical roller bearings

PRODUCT PERFORMANCE

Dynamic load, C	83,5 kN
Static load, C0	71 kN
Fatigue limit load, Cu	8,65 kN
Nlim (oil)	11500 tr/min
Nlim (grease)	8100 tr/min
Min operating temperature, Tmin	-20 °C
Max operating temperature, Tmax	120 °C
Characteristic cage frequency, FTF	0.397 Hz
Characteristic rolling element frequency, BSF	4.644 Hz
Characteristic outer ring frequency, BPF0	5.16 Hz
Characteristic inner ring frequency, BPGI	7.84 Hz

INDUSTRY CALCUL FACTORS

Equivalent dynamic radial load

$$P = Fr$$

Equivalent static radial load

$$Po = Fr$$