

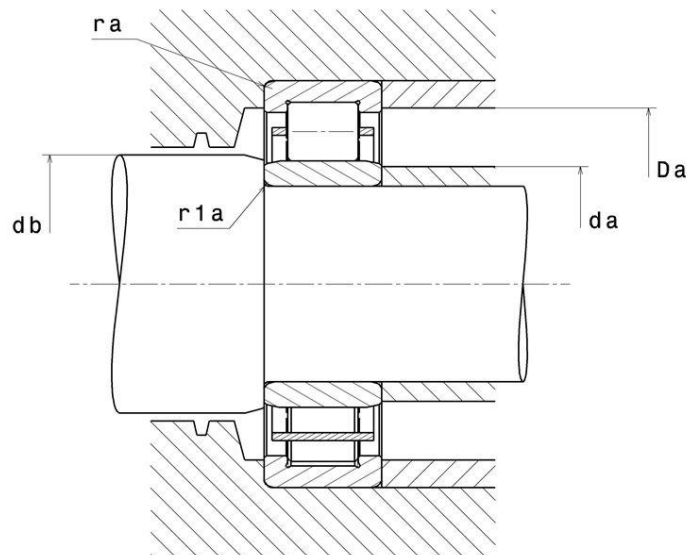
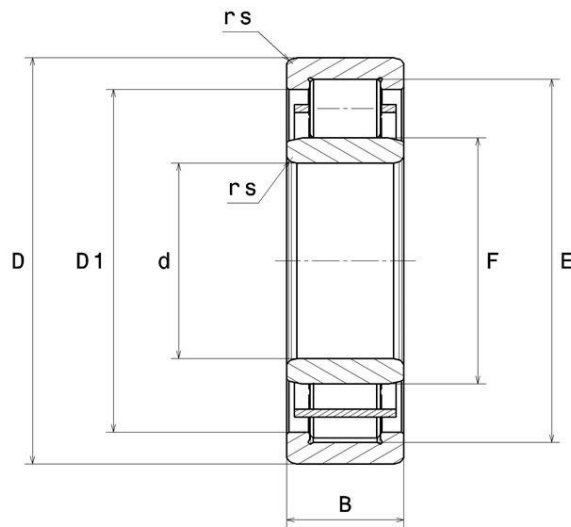


Technical data

NU306C3

Single row cylindrical roller bearings

VISUAL (S)



NU306C3

Single row cylindrical roller bearings

PRODUCT DIMENSIONS

Internal diameter d	30 mm
External diameter D	72 mm
Bearing/Inner ring width(B)	19 mm
Upper roller diameter E	62,5 mm
Under roller diameter F	40,5 mm
d1	44,9 mm
Min fillet radius rNs	1,1 mm
Min fillet radius rs	1,1 mm
Radial clearance class	C3
Mass	0,398 kg
Brand	NTN

PRODUCT PERFORMANCE

Dynamic load, C	63 kN
Static load, C0	50 kN
Fatigue limit load, Cu	6,15 kN
Nlim (oil)	13200 tr/min
Nlim (grease)	9300 tr/min

ABUTMENT

Min shoulder diameter IR da min	36,5 mm
db min	44 mm
Max shoulder diameter OR Da max	65,5 mm
Min shoulder diameter small face Db min	64 mm
Max fillet radius ra max	1 mm
Maxi fillet radius r1a	1 mm

NU306C3

Single row cylindrical roller bearings

INDUSTRY CALCUL FACTORS

Equivalent dynamic radial load

$$P = Fr$$

Equivalent static radial load

$$P_0 = Fr$$