



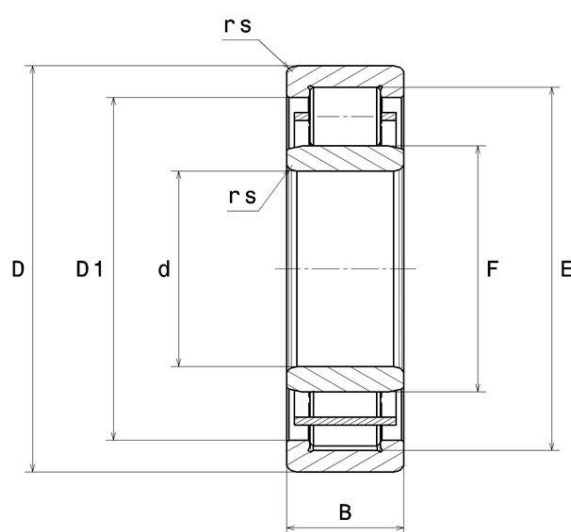
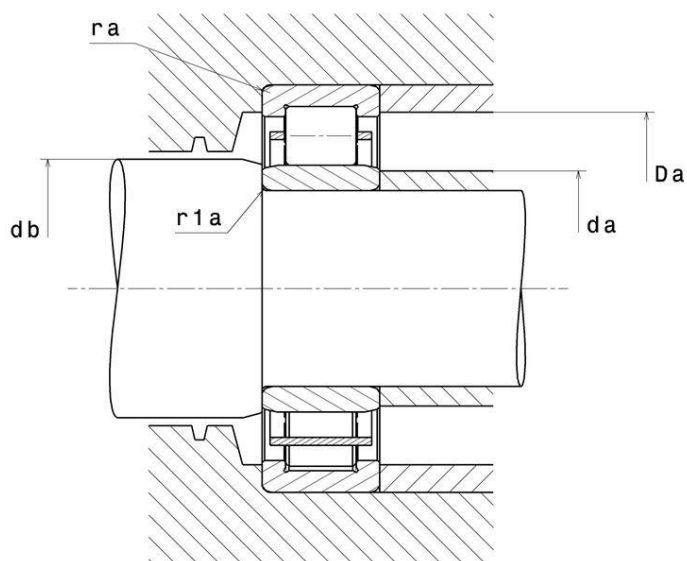
Technical data

NU217C3

Single row cylindrical roller bearings

Single row cylindrical roller bearing, floating, separable, pressed steel cage

VISUAL (S)



NU217C3

Single row cylindrical roller bearings

PRODUCT DIMENSIONS

Internal diameter d	85 mm
External diameter D	150 mm
Bearing/Inner ring width(B)	28 mm
Upper roller diameter E	133,8 mm
Under roller diameter F	101,8 mm
Min fillet radius rs	2 mm
Min fillet radius r1s	2 mm
Radial clearance class	C3
Mass	1,87 kg
Brand	NTN

PRODUCT PERFORMANCE

Dynamic load, C	134 kN
Static load, C0	140 kN
Fatigue limit load, Cu	16,3 kN
Nlim (oil)	5300 tr/min
Nlim (grease)	4500 tr/min
Min operating temperature, Tmin	-40 °C
Max operating temperature, Tmax	120 °C
Characteristic cage frequency, FTF	0.432 Hz
Characteristic rolling element frequency, BSF	7.227 Hz
Characteristic outer ring frequency, BPF0	6.913 Hz
Characteristic inner ring frequency, BPGI	9.087 Hz

ABUTMENT

Min shoulder diameter IR da min	94 mm
Small face shoulder max diameter da max	99 mm
db min	104 mm
Max shoulder diameter OR Da max	141 mm
Max fillet radius ra max	2 mm
Maxi fillet radius r1a	2 mm

NU217C3

Single row cylindrical roller bearings

INDUSTRY CALCUL FACTORS

Equivalent dynamic radial load

$$P = Fr$$

Equivalent static radial load

$$P_0 = Fr$$