



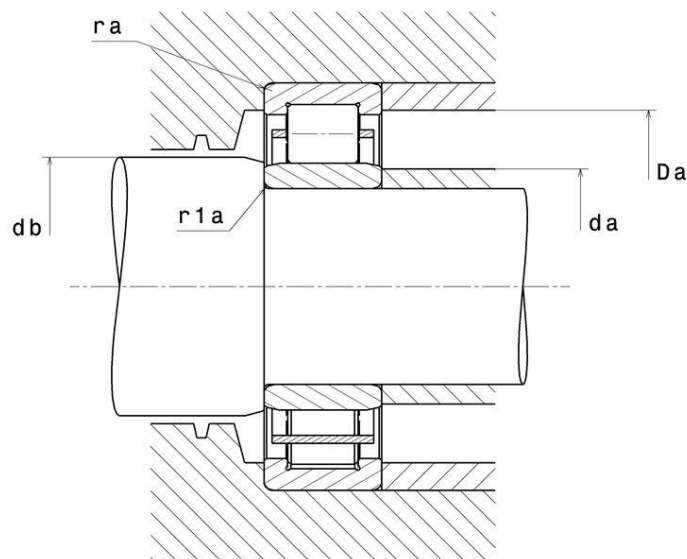
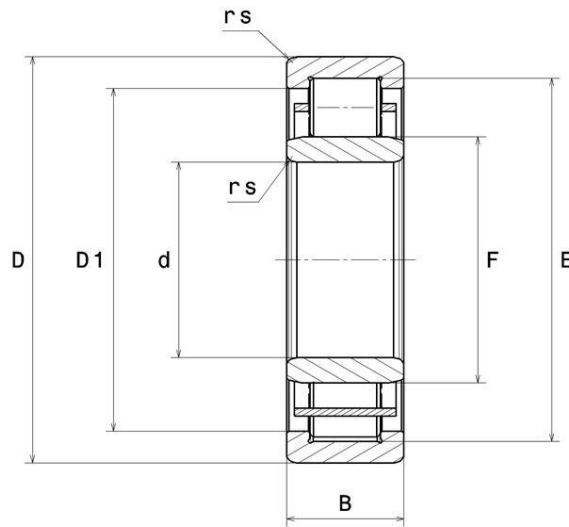
Technical data

NU209

Single row cylindrical roller bearings

Single row cylindrical roller bearing, floating, separable, pressed steel cage

VISUAL (S)



NU209

Single row cylindrical roller bearings

PRODUCT DIMENSIONS

Internal diameter d	45 mm
External diameter D	85 mm
Bearing/Inner ring width(B)	19 mm
Upper roller diameter E	75 mm
Under roller diameter F	55 mm
Min fillet radius rs	1,1 mm
Min fillet radius r1s	1,1 mm
Radial clearance class	CN
Mass	0,432 kg
Brand	NTN

PRODUCT PERFORMANCE

Dynamic load, C	51 kN
Static load, C0	47 kN
Fatigue limit load, Cu	5,7 kN
Nlim (oil)	9900 tr/min
Nlim (grease)	8400 tr/min
Min operating temperature, Tmin	-40 °C
Max operating temperature, Tmax	120 °C
Characteristic cage frequency, FTF	0.423 Hz
Characteristic rolling element frequency, BSF	6.346 Hz
Characteristic outer ring frequency, BPF0	5.923 Hz
Characteristic inner ring frequency, BPF1	8.077 Hz

ABUTMENT

Min shoulder diameter IR da min	51,5 mm
Small face shoulder max diameter da max	54 mm
db min	57 mm
Max shoulder diameter OR Da max	78,5 mm
Max fillet radius ra max	1 mm
Maxi fillet radius r1a	1 mm

INDUSTRY CALCUL FACTORS

Equivalent dynamic radial load

$$P = Fr$$

Equivalent static radial load

$$P_0 = Fr$$