



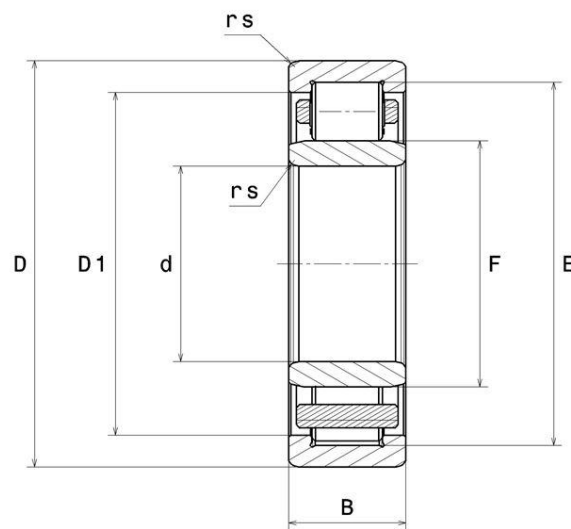
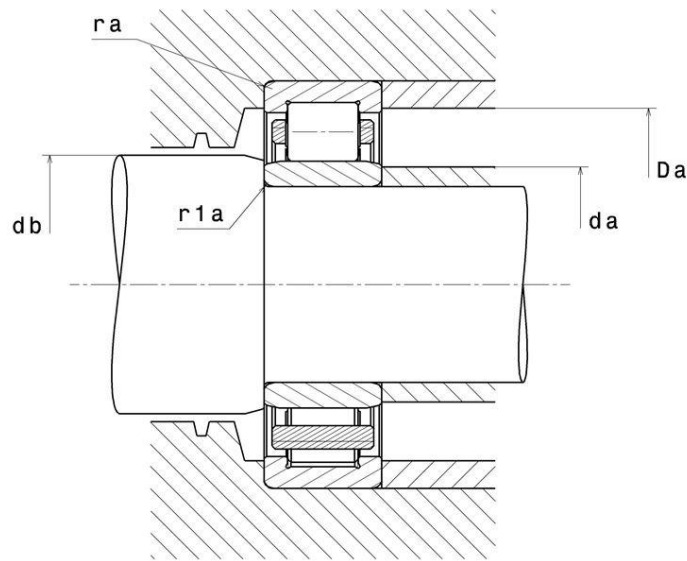
**Technical data**

**NU204ET2XC3**

Single row cylindrical roller bearings

Single row cylindrical roller bearing, floating, separable, polyamide cage

**VISUAL (S)**



# NU204ET2XC3

Single row cylindrical roller bearings

## PRODUCT DIMENSIONS

<b>Internal diameter d</b>	20 mm
<b>External diameter D</b>	47 mm
<b>Bearing/Inner ring width(B)</b>	14 mm
<b>Upper roller diameter E</b>	41,5 mm
<b>Under roller diameter F</b>	26,5 mm
<b>Min fillet radius rs</b>	1 mm
<b>Min fillet radius r1s</b>	0,6 mm
<b>Radial clearance class</b>	C3
<b>Mass</b>	0,107 kg
<b>Brand</b>	NTN

## PRODUCT PERFORMANCE

<b>Dynamic load, C</b>	25,7 kN
<b>Static load, C0</b>	22,6 kN
<b>Fatigue limit load, Cu</b>	2,75 kN
<b>Nlim (oil)</b>	18000 tr/min
<b>Nlim (grease)</b>	15000 tr/min
<b>Min operating temperature, Tmin</b>	-20 °C
<b>Max operating temperature, Tmax</b>	120 °C
<b>Characteristic cage frequency, FTF</b>	0.39 Hz
<b>Characteristic rolling element frequency, BSF</b>	4.313 Hz
<b>Characteristic outer ring frequency, BPF0</b>	4.287 Hz
<b>Characteristic inner ring frequency, BPFI</b>	6.713 Hz

## ABUTMENT

<b>Min shoulder diameter IR da min</b>	24 mm
<b>Small face shoulder max diameter da max</b>	26 mm
<b>db min</b>	29 mm
<b>Max shoulder diameter OR Da max</b>	42 mm
<b>Max fillet radius ra max</b>	1 mm
<b>Maxi fillet radius r1a</b>	0,6 mm

# NU204ET2XC3

Single row cylindrical roller bearings

## INDUSTRY CALCUL FACTORS

Equivalent dynamic radial load

$$P = Fr$$

Equivalent static radial load

$$P_0 = Fr$$