

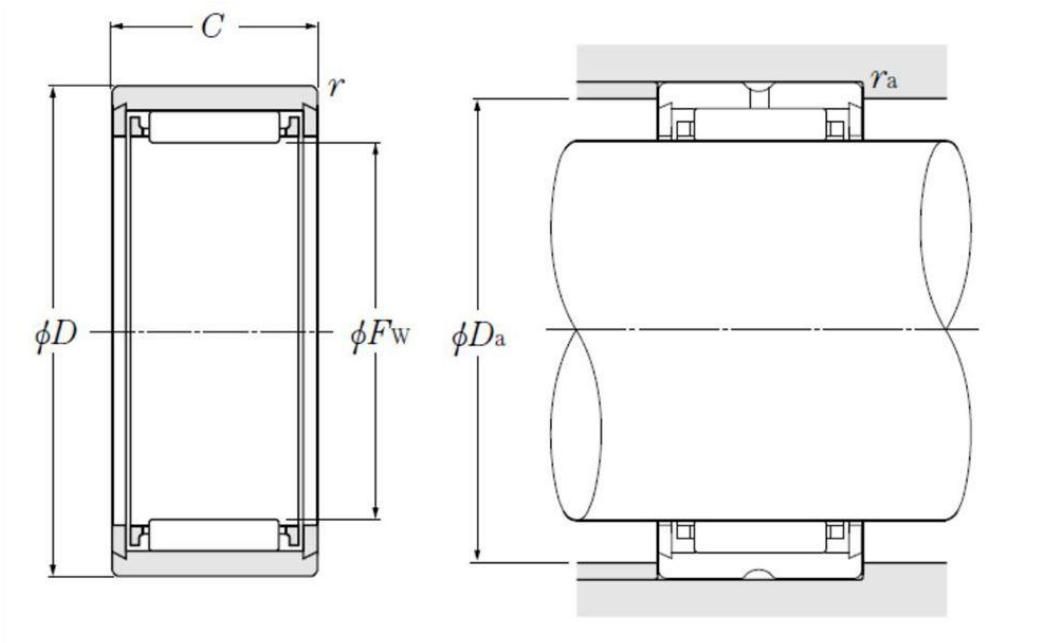
Technical data

NKS20

Needle roller bearing, machined-ring, without inner ring

Needle roller bearing, machined-ring, without inner ring, double-side ribs, heavy load

VISUAL (S)



PRODUCT DIMENSIONS

Fw - Under rollers diameter	20 mm
D - External diameter	32 mm
C - Width of bearing, drawn cup or outer ring	20 mm
rs - Min fillet radius	0,3 mm
Lubrication hole on outer ring	No
Radial clearance class	CN
Precision class	P0
Mass	0,049 kg

NKS20

Needle roller bearing, machined-ring, without inner ring

PRODUCT DIMENSIONS

Brand	NTN
--------------	-----

PRODUCT PERFORMANCE

Cr - Dynamic load rating	17,8 kN
C0r - Static load rating	22,8 kN
Nlim - Grease lubrication limit speed	13000 tr/min
Nlim - Oil lubrication limit speed	20000 tr/min
Tmin - Min operating temperature	-20 °C
Tmax - Max operating temperature	120 °C

ABUTMENT

Da max - Max shoulder diameter OR	23 mm
ras max - Max shaft & housing fillet radius	0,3 mm