

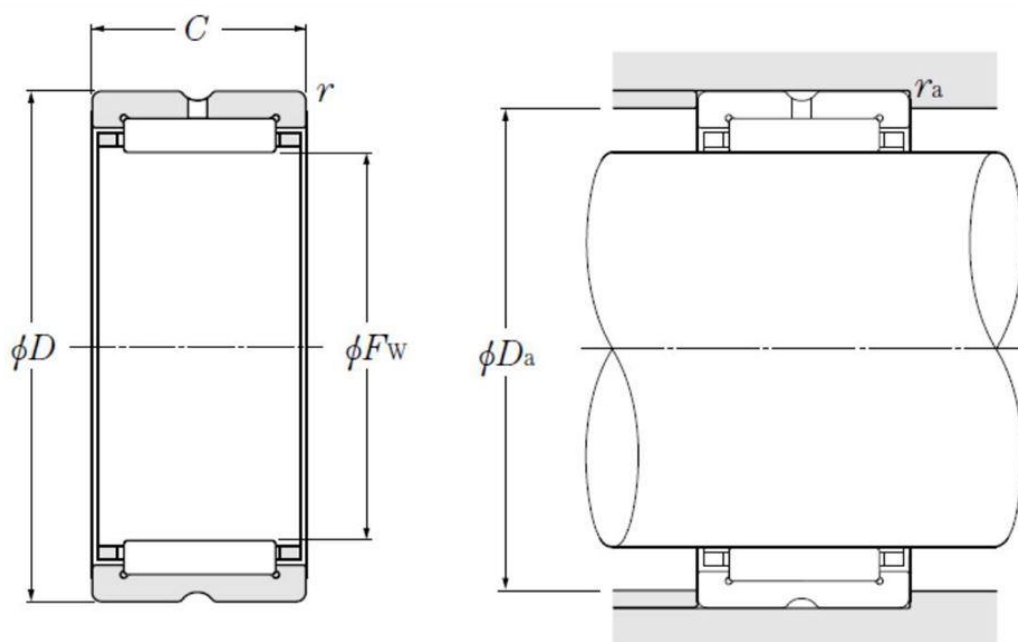
Technical data

NK50/35R

Needle roller bearing, machined-ring, without inner ring

Needle roller bearing, machined-ring, without inner ring, double-side ribs, lubrication hole

VISUAL (S)



PRODUCT PERFORMANCE

Dynamic load rating (Cr)	51 kN
Static load rating (C0r)	106 kN
Nlim (grease)	5500 tr/min
Nlim (oil)	8000 tr/min
Min operating temperature, Tmin	-20 °C
Max operating temperature, Tmax	120 °C
Characteristic cage frequency, FTF	0.467 Hz
Characteristic rolling element frequency, BSF	15.22 Hz
Characteristic outer ring frequency, BPF0	13.084 Hz
Characteristic inner ring frequency, BRF0	14.916 Hz

NK50/35R

Needle roller bearing, machined-ring, without inner ring

PRODUCT DIMENSIONS

Under rollers diameter (Fw)	50 mm
External diameter D	62 mm
Width of bearing, drawn cup or outer ring (C)	35 mm
Min fillet radius rs	0,6 mm
Lubrication hole on outer ring	Yes
Hole diameter (k)	3 mm
Radial clearance class	CN
Precision class	P0
Mass	0,221 kg
Brand	NTN

ABUTMENT

Max shoulder diameter OR Da max	58 mm
Max shaft & housing fillet radius (ras max)	0,6 mm