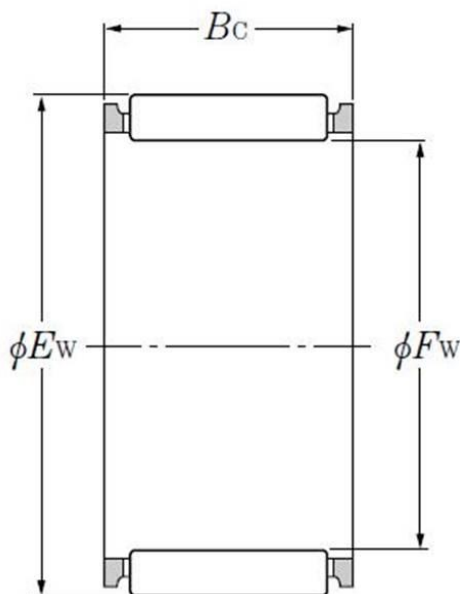


Technical data

K10X16X12

Needle roller and cage assemblies

VISUAL (S)



PRODUCT DIMENSIONS

Fw	10 mm
Ew	16 mm
Bc	12 mm
Mass	0,007 kg
Brand	NTN

PRODUCT PERFORMANCE

Cr	7,1 kN
C0r	5,95 kN
Nlim (grease)	19000 tr/min
Nlim (oil)	28000 tr/min
Min operating temperature, Tmin	-20 °C
Max operating temperature, Tmax	120 °C

K10X16X12

Needle roller and cage assemblies

PRODUCT PERFORMANCE

Characteristic cage frequency, FTF	0.385 Hz
Characteristic rolling element frequency, BSF	4.103 Hz
Characteristic outer ring frequency, BPF0	2.692 Hz
Characteristic inner ring frequency, BPII	4.308 Hz

ABUTMENT

b	12 mm
----------	-------