

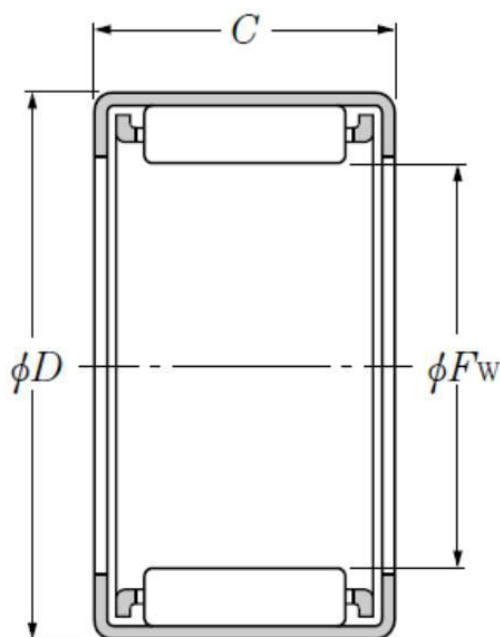
Technical data

HK1312

Drawn cup needle roller bearings, opened end

Needle roller bearing, drawn cup, open end

VISUAL (S)



PRODUCT DIMENSIONS

Under rollers diameter (Fw)	13 mm
External diameter D	19 mm
Width of bearing, drawn cup or outer ring (C)	12 mm
Lubrication hole on outer ring	No
Inner ring reference	IR10X13X12.5
Mass	0,01 kg
Brand	NTN

PRODUCT PERFORMANCE

Dynamic load rating (Cr)	6,95 kN
Static load rating (C0r)	7,9 kN
Nlim (grease)	12000 tr/min

HK1312

Drawn cup needle roller bearings, opened end

PRODUCT PERFORMANCE

Nlim (oil)	18000 tr/min
Min operating temperature, Tmin	-20 °C
Max operating temperature, Tmax	120 °C
Characteristic cage frequency, FTF	0.433 Hz
Characteristic rolling element frequency, BSF	7.367 Hz
Characteristic outer ring frequency, BPF0	6.5 Hz
Characteristic inner ring frequency, BPFI	8.5 Hz