

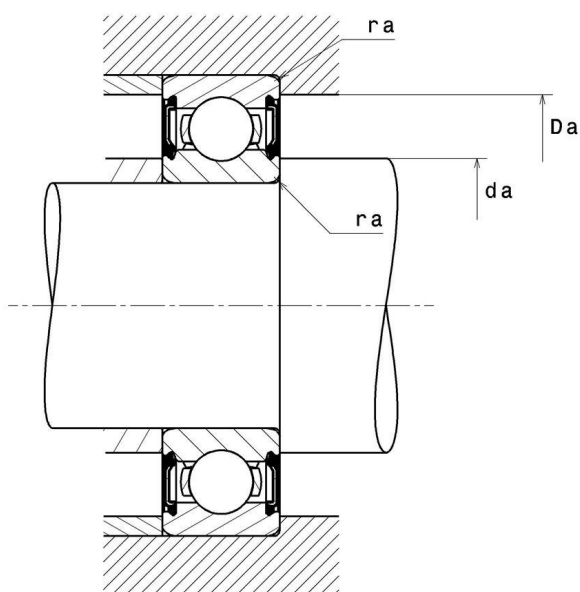
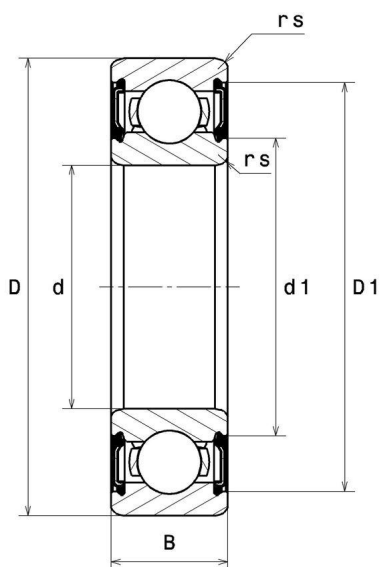
Technical data

6904LLB/5K

Single row deep groove ball bearings

Deep groove ball bearing, radial contact, pressed steel cage, non-contact seals on both sides

VISUAL (S)



6904LLB/5K

Single row deep groove ball bearings

PRODUCT DIMENSIONS

Internal diameter d	20 mm
External diameter D	37 mm
Bearing/Inner ring width(B)	9 mm
Min fillet radius rs	0,3 mm
Radial clearance class	CN
Mass	0,036 kg
Brand	NTN

PRODUCT PERFORMANCE

Dynamic load, C	7,05 kN
Static load, C0	3,7 kN
Fatigue limit load, Cu	0,288 kN
Coefficient f0	14.7
Nlim (grease)	19000 tr/min
Min operating temperature, Tmin	-25 °C
Max operating temperature, Tmax	110 °C
Characteristic cage frequency, FTF	0.416 Hz
Characteristic rolling element frequency, BSF	5.817 Hz
Characteristic outer ring frequency, BPF0	4.581 Hz
Characteristic inner ring frequency, BRF0	6.419 Hz

ABUTMENT

Min shoulder diameter IR da min	22 mm
Max shoulder diameter IR da max	24 mm
Max shoulder diameter OR Da max	35 mm
Max shaft & housing fillet radius ra max	0,3 mm

INDUSTRY CALCUL FACTORS

Equivalent dynamic radial load

$$P = X.F_r + Y.F_a$$

$\frac{f_0 F_a}{C_0}$	e	Fa / Fr ≤ e		Fa / Fr > e	
		X	Y	X	Y
0.172	0.19	1	0	0.56	2.3
0.345	0.22				1.99
0.689	0.26				1.71
1.03	0.28				1.55
1.38	0.3				1.45
2.07	0.34				1.31
3.45	0.38				1.15
5.17	0.42				1.04
6.89	0.44				1

Equivalent static radial load

$$P_0 = X_0.F_r + Y_0.F_a$$

X_0	Y_0
0.6	0.5

For single or DT bearing arrangement:

If $P_0 < F_r$, then use $P_0 = F_r$