



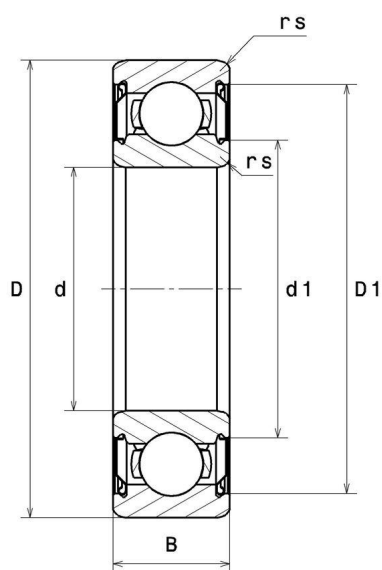
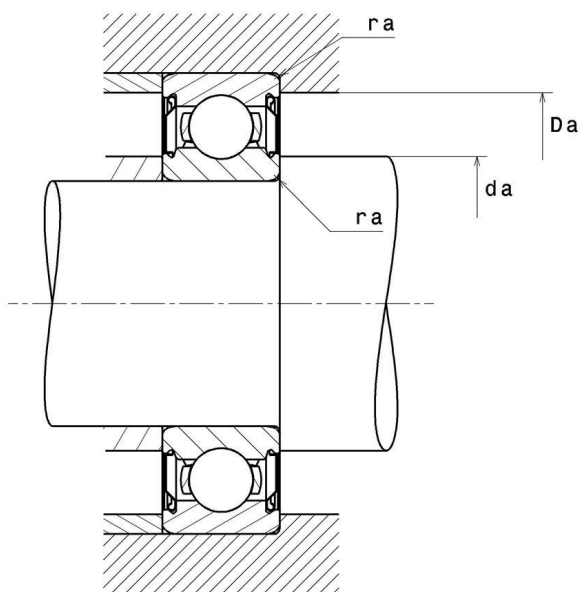
Technical data

6828ZZ/2AS

Single row deep groove ball bearings

Deep groove ball bearing, radial contact, pressed steel cage, shields on both sides

VISUAL (S)



6828ZZ/2AS

Single row deep groove ball bearings

PRODUCT DIMENSIONS

Internal diameter d	140 mm
External diameter D	175 mm
Bearing/Inner ring width(B)	18 mm
Min fillet radius rs	1,1 mm
Radial clearance class	CN
Mass	0,85 kg
Brand	NTN

PRODUCT PERFORMANCE

Dynamic load, C	42,5 kN
Static load, C0	44,5 kN
Fatigue limit load, Cu	2,35 kN
Coefficient f0	16.0
Nlim (grease)	3400 tr/min
Min operating temperature, Tmin	-25 °C
Max operating temperature, Tmax	120 °C
Characteristic cage frequency, FTF	0.467 Hz
Characteristic rolling element frequency, BSF	15.198 Hz
Characteristic outer ring frequency, BPF0	12.148 Hz
Characteristic inner ring frequency, BPF1	13.852 Hz

ABUTMENT

Min shoulder diameter IR da min	146,5 mm
Max shoulder diameter OR Da max	168,5 mm
Max shaft & housing fillet radius ra max	1 mm

INDUSTRY CALCUL FACTORS

Equivalent dynamic radial load

$$P = X.F_r + Y.F_a$$

$\frac{f_0 F_a}{C_0}$	e	Fa / Fr ≤ e		Fa / Fr > e	
		X	Y	X	Y
0.172	0.19	1	0	0.56	2.3
0.345	0.22				1.99
0.689	0.26				1.71
1.03	0.28				1.55
1.38	0.3				1.45
2.07	0.34				1.31
3.45	0.38				1.15
5.17	0.42				1.04
6.89	0.44				1

Equivalent static radial load

$$P_0 = X_0.F_r + Y_0.F_a$$

X_0	Y_0
0.6	0.5

For single or DT bearing arrangement:

If $P_0 < F_r$, then use $P_0 = F_r$