



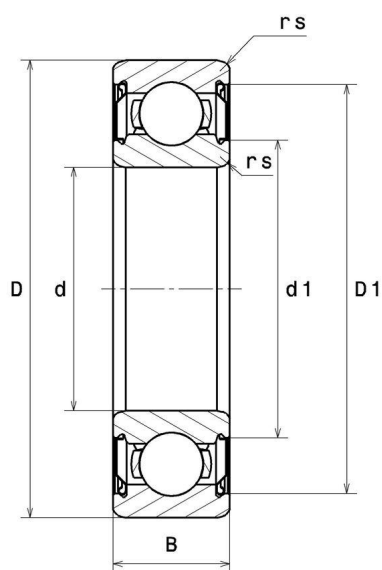
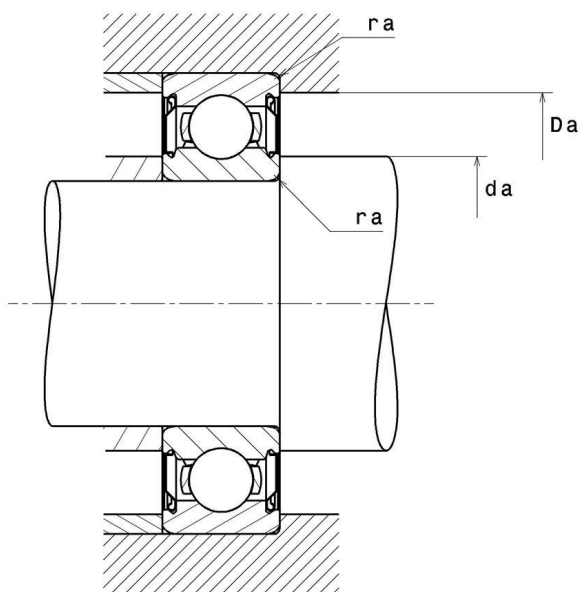
Technical data

6410ZZ/5K

Single row deep groove ball bearings

Deep groove ball bearing, radial contact, pressed steel cage, shields on both sides

VISUAL (S)



6410ZZ/5K

Single row deep groove ball bearings

PRODUCT DIMENSIONS

Internal diameter d	50 mm
External diameter D	130 mm
Bearing/Inner ring width(B)	31 mm
Min fillet radius rs	2,1 mm
Radial clearance class	CN
Mass	1,88 kg
Brand	NTN

PRODUCT PERFORMANCE

Dynamic load, C	92 kN
Static load, C0	49,5 kN
Fatigue limit load, Cu	3,85 kN
Coefficient f0	12.5
Nlim (grease)	5700 tr/min
Min operating temperature, Tmin	-40 °C
Max operating temperature, Tmax	150 °C
Characteristic cage frequency, FTF	0.368 Hz
Characteristic rolling element frequency, BSF	3.537 Hz
Characteristic outer ring frequency, BPF0	2.579 Hz
Characteristic inner ring frequency, BPF1	4.421 Hz

ABUTMENT

Min shoulder diameter IR da min	61 mm
Max shoulder diameter OR Da max	119 mm
Max shaft & housing fillet radius ra max	2 mm

INDUSTRY CALCUL FACTORS

Equivalent dynamic radial load

$$P = X.F_r + Y.F_a$$

$\frac{f_0 F_a}{C_0}$	e	Fa / Fr ≤ e		Fa / Fr > e	
		X	Y	X	Y
0.172	0.19	1	0	0.56	2.3
0.345	0.22				1.99
0.689	0.26				1.71
1.03	0.28				1.55
1.38	0.3				1.45
2.07	0.34				1.31
3.45	0.38				1.15
5.17	0.42				1.04
6.89	0.44				1

Equivalent static radial load

$$P_0 = X_0.F_r + Y_0.F_a$$

X_0	Y_0
0.6	0.5

For single or DT bearing arrangement:

If $P_0 < F_r$, then use $P_0 = F_r$