



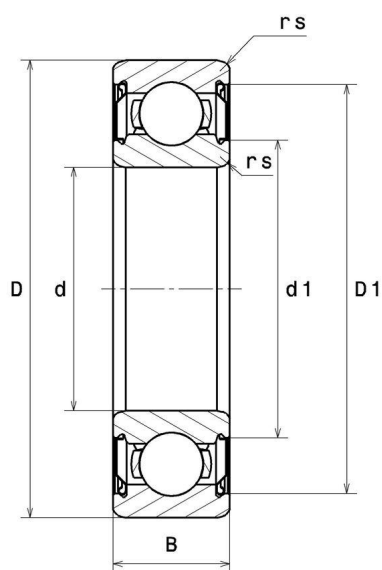
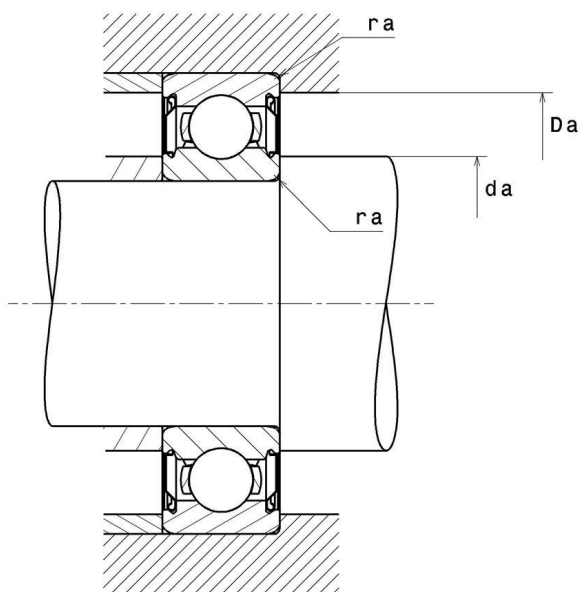
Technical data

6326ZZC3/5K

Single row deep groove ball bearings

Deep groove ball bearing, radial contact, pressed steel cage, shields on both sides

VISUAL (S)



6326ZZC3/5K

Single row deep groove ball bearings

PRODUCT DIMENSIONS

Internal diameter d	130 mm
External diameter D	280 mm
Bearing/Inner ring width(B)	58 mm
Min fillet radius rs	4 mm
Radial clearance class	C3
Mass	15,3 kg
Brand	NTN

PRODUCT PERFORMANCE

Dynamic load, C	254 kN
Static load, C0	214 kN
Fatigue limit load, Cu	11,7 kN
Coefficient f0	13.6
Nlim (grease)	2400 tr/min
Min operating temperature, Tmin	-40 °C
Max operating temperature, Tmax	150 °C
Characteristic cage frequency, FTF	0.392 Hz
Characteristic rolling element frequency, BSF	4.395 Hz
Characteristic outer ring frequency, BPF0	3.133 Hz
Characteristic inner ring frequency, BPF1	4.867 Hz

ABUTMENT

Min shoulder diameter IR da min	146 mm
Max shoulder diameter OR Da max	264 mm
Max shaft & housing fillet radius ra max	3 mm

INDUSTRY CALCUL FACTORS

Equivalent dynamic radial load

$$P = X.F_r + Y.F_a$$

$\frac{f_0 F_a}{C_0}$	e	Fa / Fr ≤ e		Fa / Fr > e	
		X	Y	X	Y
0.172	0.19	1	0	0.56	2.3
0.345	0.22				1.99
0.689	0.26				1.71
1.03	0.28				1.55
1.38	0.3				1.45
2.07	0.34				1.31
3.45	0.38				1.15
5.17	0.42				1.04
6.89	0.44				1

Equivalent static radial load

$$P_0 = X_0.F_r + Y_0.F_a$$

X_0	Y_0
0.6	0.5

For single or DT bearing arrangement:

If $P_0 < F_r$, then use $P_0 = F_r$