

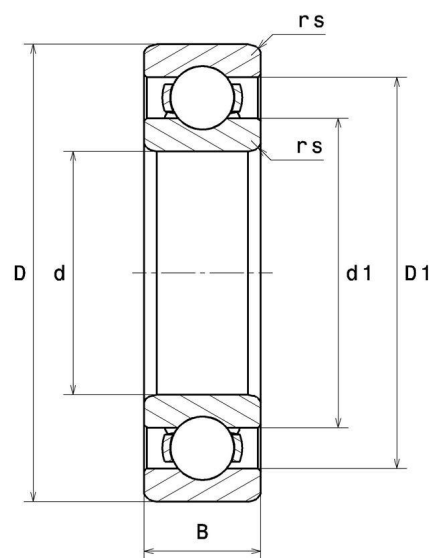
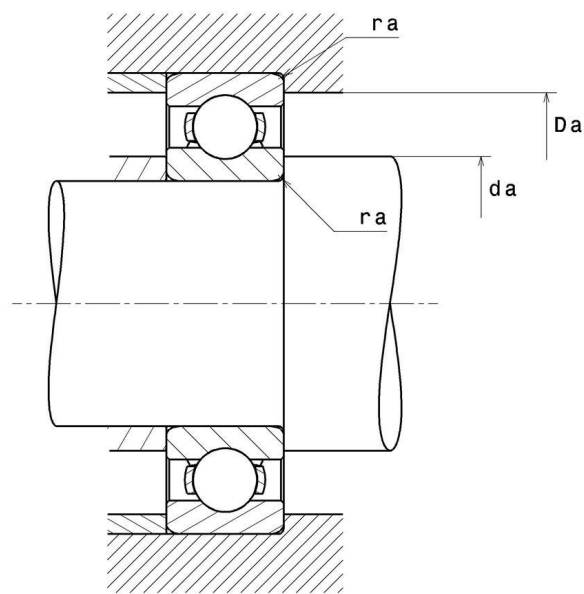
Technical data

6306C4

Single row deep groove ball bearings

Deep groove ball bearing, radial contact, pressed steel cage, open

VISUAL (S)



6306C4

Single row deep groove ball bearings

PRODUCT DIMENSIONS

d	30 mm
D	72 mm
Bearing/Inner ring width(B)	19 mm
rs min	1,1 mm
Radial clearance class	C4
Mass	0,36 kg
Brand	NTN

PRODUCT PERFORMANCE

Dynamic load, C	29,5 kN
Static load, C0	15 kN
Fatigue limit load, Cu	1,14 kN
f0	13.3
Nlim (oil)	12000 tr/min
Nlim (grease)	10000 tr/min
Min operating temperature, Tmin	-40 °C
Max operating temperature, Tmax	120 °C
Characteristic cage frequency, FTF	0.386 Hz
Characteristic rolling element frequency, BSF	4.139 Hz
Characteristic outer ring frequency, BPF0	3.084 Hz
Characteristic inner ring frequency, BRFI	4.916 Hz

ABUTMENT

da min	36,5 mm
Da max	65,5 mm
ra max	1 mm

INDUSTRY CALCUL FACTORS

Equivalent dynamic radial load

$$P = X.F_r + Y.F_a$$

$\frac{f_0 F_a}{C_0}$	e	Fa / Fr ≤ e		Fa / Fr > e	
		X	Y	X	Y
0.172	0.19	1	0	0.56	2.3
0.345	0.22				1.99
0.689	0.26				1.71
1.03	0.28				1.55
1.38	0.3				1.45
2.07	0.34				1.31
3.45	0.38				1.15
5.17	0.42				1.04
6.89	0.44				1

Equivalent static radial load

$$P_0 = X_0.F_r + Y_0.F_a$$

X_0	Y_0
0.6	0.5

For single or DT bearing arrangement:

If $P_0 < F_r$, then use $P_0 = F_r$