

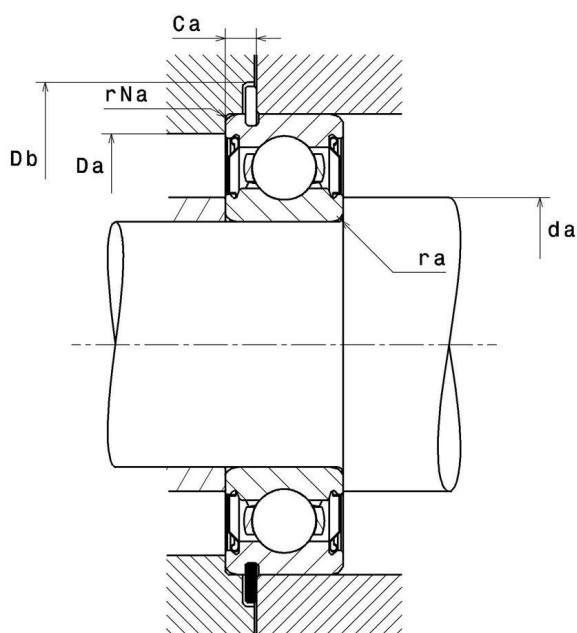
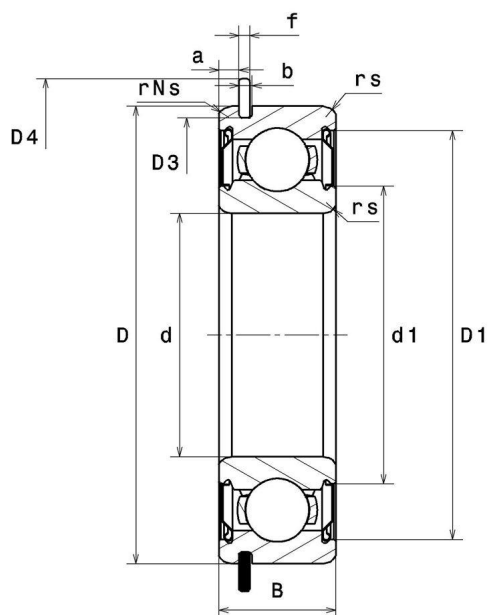
Technical data

6203ZZNR/5K

Single row deep groove ball bearings

Deep groove ball bearing, radial contact, pressed steel cage, snap ring & groove on outer diameter, shields on both sides

VISUAL (S)



6203ZZNR/5K

Single row deep groove ball bearings

PRODUCT DIMENSIONS

Internal diameter d	17 mm
External diameter D	40 mm
Bearing/Inner ring width(B)	12 mm
Min position Groove a min	1,9 mm
Max position groove a max	2,06 mm
Mini segment position Ca min	2,92 mm
Max segment position Ca max	3,18 mm
Min fillet radius rs	0,6 mm
Min fillet radius rNs	0,5 mm
Max bottom groove diameter D3	38,1 mm
Min groove width b min	1,35 mm
Max groove width b max	1,65 mm
Max bottom groove radius r0 max	0,4 mm
Max outside diameter of assembled stop ring D4 max	44,6 mm
Stop ring thickness f	1,12 mm
Snap ring reference	R40
Radial clearance class	CN
Mass	0,066 kg
Brand	NTN

PRODUCT PERFORMANCE

Dynamic load, C	10,6 kN
Static load, C0	4,6 kN
Fatigue limit load, Cu	0,355 kN
Coefficient f0	12.8
Nlim (grease)	18000 tr/min
Min operating temperature, Tmin	-40 °C
Max operating temperature, Tmax	150 °C
Characteristic cage frequency, FTF	0.376 Hz
Characteristic rolling element frequency, BSF	3.783 Hz
Characteristic outer ring frequency, BPF0	2.632 Hz
Characteristic inner ring frequency, BPGI	4.368 Hz

6203ZZNR/5K

Single row deep groove ball bearings

ABUTMENT

Min shoulder diameter IR da min	21 mm
Max shoulder diameter OR Da max	36 mm
Max shaft & housing fillet radius ra max	0,6 mm
Max fillet radius on segment side rNa max	0,5 mm
Min stop ring position diameter Db min	45,5 mm

INDUSTRY CALCUL FACTORS

Equivalent dynamic radial load

$$P = X.F_r + Y.F_a$$

$\frac{f_0 F_a}{C_0}$	e	Fa / Fr ≤ e		Fa / Fr > e	
		X	Y	X	Y
0.172	0.19	1	0	0.56	2.3
0.345	0.22				1.99
0.689	0.26				1.71
1.03	0.28				1.55
1.38	0.3				1.45
2.07	0.34				1.31
3.45	0.38				1.15
5.17	0.42				1.04
6.89	0.44				1

Equivalent static radial load

$$P_0 = X_0.F_r + Y_0.F_a$$

X_0	Y_0
0.6	0.5

For single or DT bearing arrangement:

If $P_0 < F_r$, then use $P_0 = F_r$