



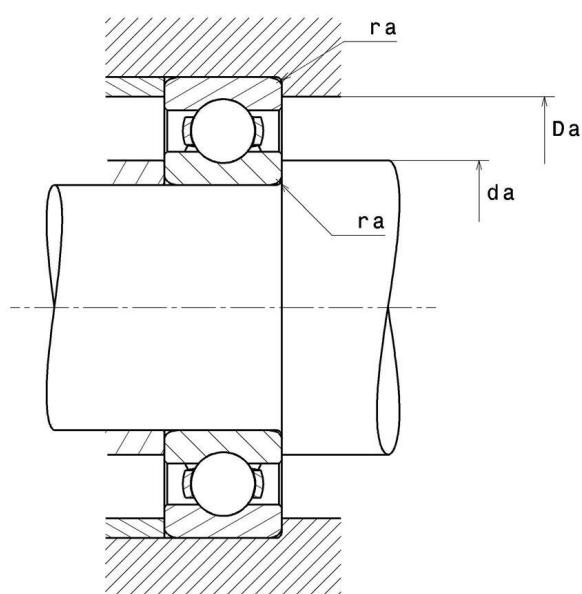
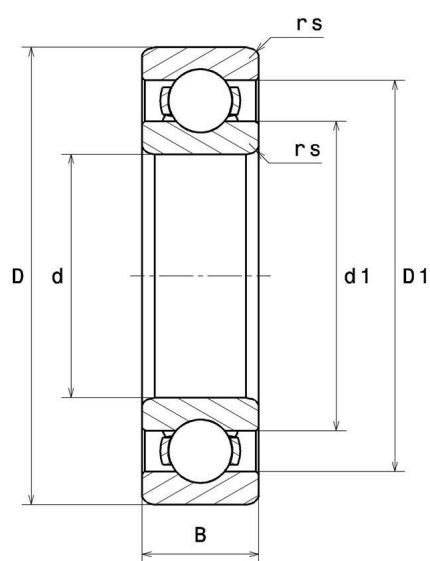
Technical data

6202C4

Single row deep groove ball bearings

Deep groove ball bearing, radial contact, pressed steel cage, open

VISUAL (S)



6202C4

Single row deep groove ball bearings

PRODUCT DIMENSIONS

Internal diameter d	15 mm
External diameter D	35 mm
Bearing/Inner ring width(B)	11 mm
Min fillet radius rs	0,6 mm
Radial clearance class	C4
Mass	0,045 kg
Brand	NTN

PRODUCT PERFORMANCE

Dynamic load, C	8,6 kN
Static load, C0	3,6 kN
Fatigue limit load, Cu	0,279 kN
Coefficient f0	12.7
Nlim (oil)	23000 tr/min
Nlim (grease)	19000 tr/min
Min operating temperature, Tmin	-40 °C
Max operating temperature, Tmax	120 °C
Characteristic cage frequency, FTF	0.373 Hz
Characteristic rolling element frequency, BSF	3.683 Hz
Characteristic outer ring frequency, BPF0	2.611 Hz
Characteristic inner ring frequency, BPFI	4.389 Hz

ABUTMENT

Min shoulder diameter IR da min	19 mm
Max shoulder diameter OR Da max	31 mm
Max shaft & housing fillet radius ra max	0,6 mm

INDUSTRY CALCUL FACTORS

Equivalent dynamic radial load

$$P = X.F_r + Y.F_a$$

$\frac{f_0 F_a}{C_0}$	e	Fa / Fr ≤ e		Fa / Fr > e	
		X	Y	X	Y
0.172	0.19	1	0	0.56	2.3
0.345	0.22				1.99
0.689	0.26				1.71
1.03	0.28				1.55
1.38	0.3				1.45
2.07	0.34				1.31
3.45	0.38				1.15
5.17	0.42				1.04
6.89	0.44				1

Equivalent static radial load

$$P_0 = X_0.F_r + Y_0.F_a$$

X_0	Y_0
0.6	0.5

For single or DT bearing arrangement:

If $P_0 < F_r$, then use $P_0 = F_r$