

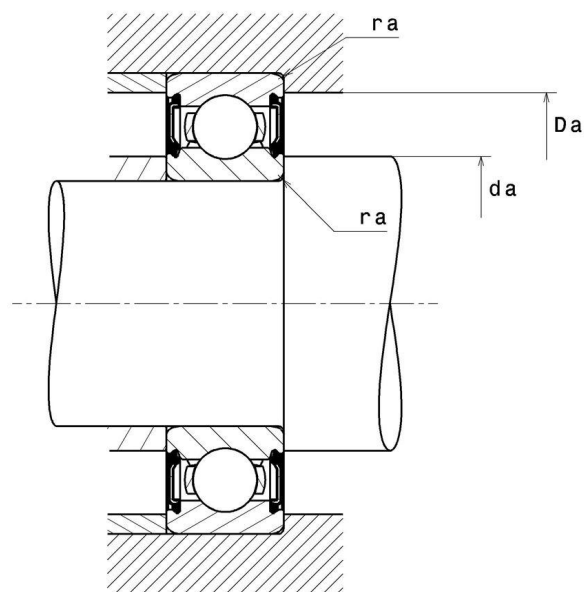
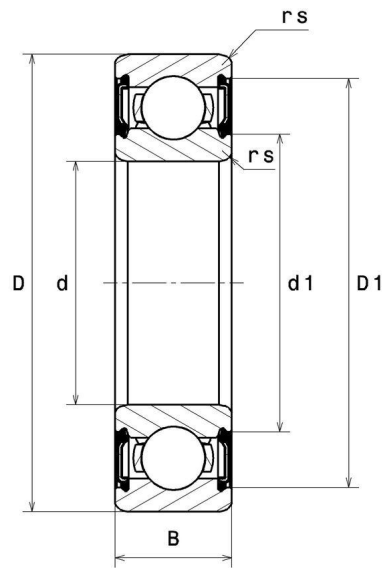
Technical data

6001JRLLB/LP03

Single row deep groove ball bearings

Deep groove ball bearing, radial contact, pressed steel cage, non-contact seals on both sides

VISUAL (S)



6001JRLLB/LP03

Single row deep groove ball bearings

PRODUCT DEFINITION

Brand	NTN
d - Internal diameter	12 mm
D - External diameter	28 mm
B - Bearing/Inner ring width	8 mm
rs - Min fillet radius	0,3 mm
Radial clearance class	CN
Mass	0,021 kg

PRODUCT PERFORMANCE

C - Dynamic load	5,65 kN
C0 - Static load	2,39 kN
Cu - Fatigue limit load	0,182 kN
f0 - Coefficient	13.2
Nlim - Grease lubrication limit speed	16700 tr/min
Tmin - Min operating temperature	-20 °C
Tmax - Max operating temperature	60 °C

ABUTMENT

da min - Min shoulder diameter IR	14 mm
da max - Max shoulder diameter IR	16 mm
Da max - Max shoulder diameter OR	26 mm
ra max - Max shaft & housing fillet radius	0,3 mm

INDUSTRY CALCUL FACTORS

Equivalent dynamic radial load

$P = X.F_r + Y.F_a$

$\frac{f_0 F_a}{C_0}$	e	Fa / Fr ≤ e		Fa / Fr > e	
		X	Y	X	Y
0.172	0.19	1	0	0.56	2.3
0.345	0.22				1.99
0.689	0.26				1.71
1.03	0.28				1.55
1.38	0.3				1.45
2.07	0.34				1.31
3.45	0.38				1.15
5.17	0.42				1.04
6.89	0.44				1

Equivalent static radial load

$P_0 = X_0.F_r + Y_0.F_a$

X_0	Y_0
0.6	0.5

For single or DT bearing arrangement:

If $P_0 < F_r$, then use $P_0 = F_r$