



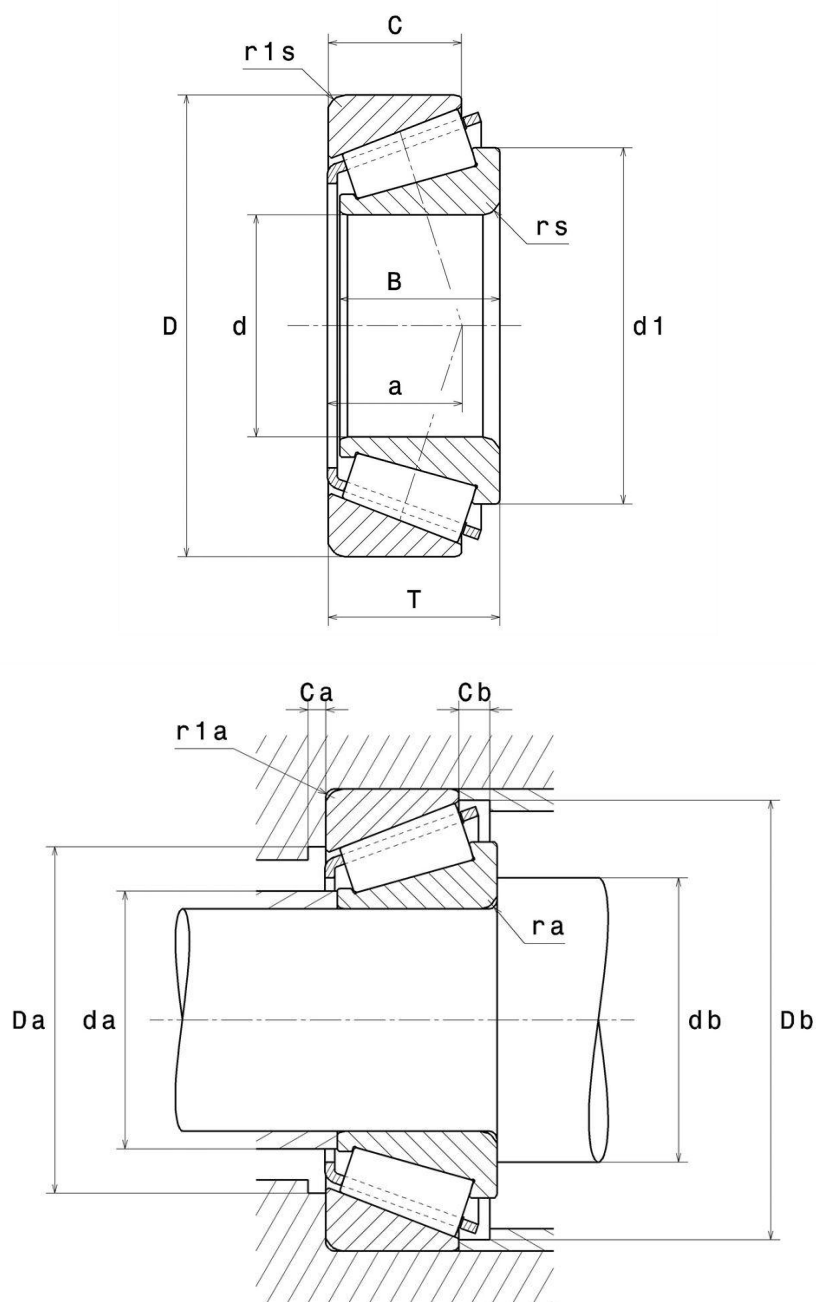
Technical data

4T-30306

Single row tapered roller bearings

Tapered roller bearing, pressed steel cage

VISUAL (S)



4T-30306

Single row tapered roller bearings

PRODUCT DIMENSIONS

Internal diameter d	30 mm
External diameter D	72 mm
Bearing/Inner ring width(B)	19 mm
Outer ring width (C)	16 mm
Total width (T)	20,75 mm
External diameter inner ring d1	49,5 mm
Charge load application point a	15 mm
Min fillet radius rs	1,5 mm
Min fillet radius r1s	1,5 mm
Coef e	0.31
Upper axial load coef (Y2)	1.9
Static axial load coef (Y0)	1.05
Mass	0,404 kg
ISO 355 reference	T2FB030
Brand	NTN

PRODUCT PERFORMANCE

Dynamic load, C	66,5 kN
Rating life coefficient, A2	1.0
Static load, C0	61 kN
Fatigue limit load, Cu	7,4 kN
Nlim (oil)	7600 tr/min
Nlim (grease)	5700 tr/min
Min operating temperature, Tmin	-40 °C
Max operating temperature, Tmax	120 °C
Characteristic cage frequency, FTF	0.4 Hz
Characteristic rolling element frequency, BSF	4.708 Hz
Characteristic outer ring frequency, BPF0	5.603 Hz
Characteristic inner ring frequency, BPF1	8.397 Hz

ABUTMENT

Max shoulder diameter IR da max	40 mm
Min IR shoulder diameter (db min)	38,5 mm

4T-30306

Single row tapered roller bearings

ABUTMENT

Min shoulder diameter OR Da min	62 mm
Max shoulder diameter OR Da max	63,5 mm
Min OR shoulder diameter Db min	66 mm
Min clearance Ca	3 mm
Min clearance Cb	4,5 mm
Max fillet radius ra max	1,5 mm
Maxi fillet radius r1a	1,5 mm

INDUSTRY CALCUL FACTORS

Equivalent dynamic radial load

$$P = X.Fr + Y.Fa$$

Fa / Fr ≤ e		Fa / Fr > e	
X	Y	X	Y
1	0	0.4	Y2

Equivalent static radial load

$$Po = Xo.Fr + Yo.Fa$$

Xo	Yo
0.5	Yo

If $Po < Fr$, then use $Po = Fr$

The values for e, Y2 and Yo are shown in the above table