



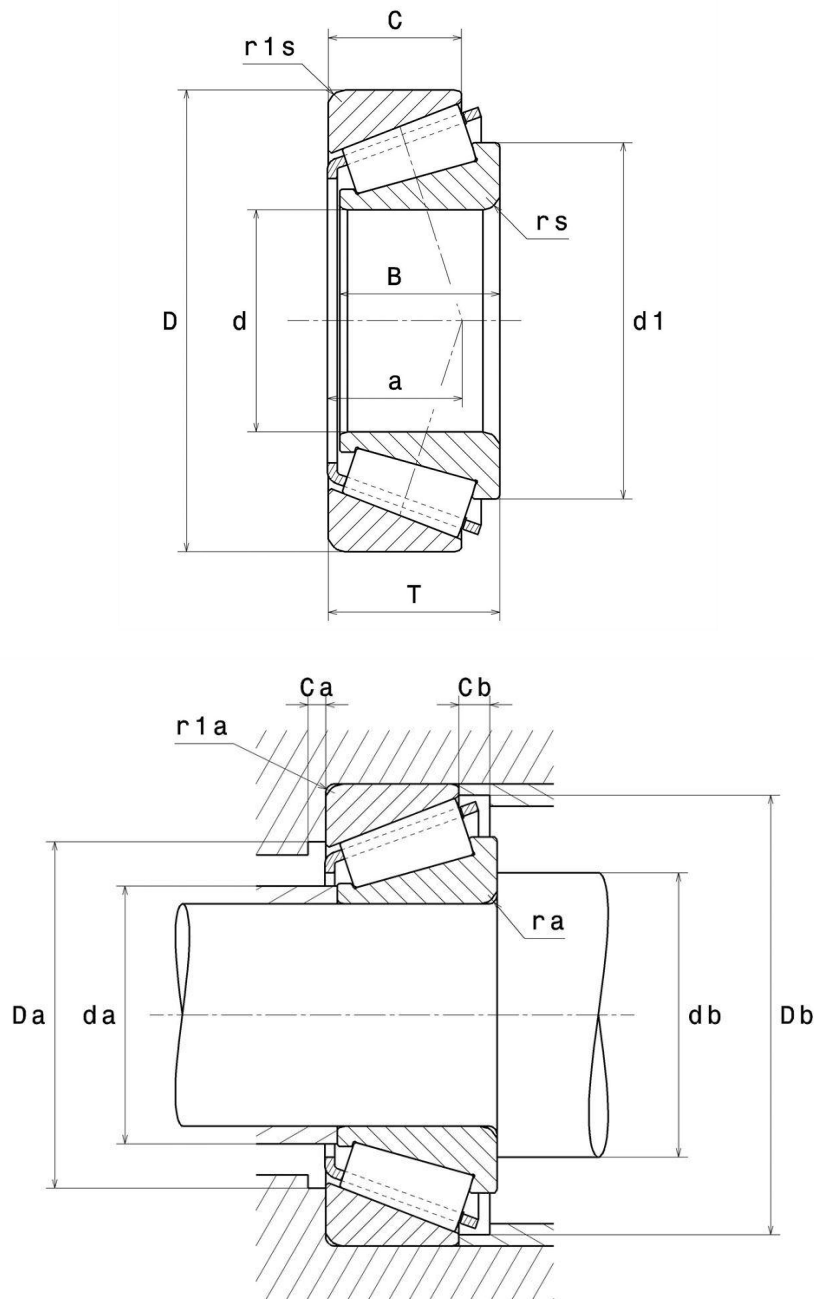
**Technical data**

**4T-30211**

Single row tapered roller bearings

Tapered roller bearing, pressed steel cage

**VISUAL (S)**



# 4T-30211

Single row tapered roller bearings

## PRODUCT DEFINITION

<b>Brand</b>	NTN
<b>d - Internal diameter</b>	55 mm
<b>D - External diameter</b>	100 mm
<b>B - Bearing/Inner ring width</b>	21 mm
<b>C - Outer ring width</b>	18 mm
<b>T - Total width</b>	22,75 mm
<b>d1 - External diameter inner ring</b>	75,5 mm
<b>a - Charge load application point</b>	21 mm
<b>rs - Min fillet radius</b>	2 mm
<b>r1s - Min fillet radius</b>	1,5 mm
<b>Mass</b>	0,725 kg
<b>ISO 355 reference</b>	T3DB055

## PRODUCT PERFORMANCE

<b>C - Dynamic load</b>	103 kN
<b>C0 - Static load</b>	111 kN
<b>Cu - Fatigue limit load</b>	13,5 kN
<b>A2 - Rating life coefficient</b>	1
<b>e - Coefficient</b>	0.4
<b>Y0 - Static axial load coefficient</b>	0.81
<b>Y2 - Upper axial load coefficient</b>	1.48
<b>Nlim - Oil lubrication limit speed</b>	4900 tr/min
<b>Nlim - Grease lubrication limit speed</b>	3600 tr/min
<b>Tmin - Min operating temperature</b>	-40 °C

# 4T-30211

Single row tapered roller bearings

## PRODUCT PERFORMANCE

<b>Tmax - Max operating temperature</b>	120 °C
---	--------

## ABUTMENT

<b>da max - Max shoulder diameter IR</b>	64 mm
<b>db min - Min IR shoulder diameter</b>	65 mm
<b>Da min - Min shoulder diameter OR</b>	88 mm
<b>Da max - Max shoulder diameter OR</b>	91,5 mm
<b>Db min - Min OR shoulder diameter</b>	94 mm
<b>Ca - Min clearance</b>	4 mm
<b>Cb - Min clearance</b>	4,5 mm
<b>ra max - Max fillet radius</b>	2 mm
<b>r1a - Max fillet radius</b>	1,5 mm

## INDUSTRY CALCUL FACTORS

**Equivalent dynamic radial load**

$$P = X.F_r + Y.F_a$$

$F_a / F_r \leq e$		$F_a / F_r > e$	
X	Y	X	Y
1	0	0.4	Y <sub>2</sub>

**Equivalent static radial load**

$$P_0 = X_0.F_r + Y_0.F_a$$

$X_0$	$Y_0$
0.5	Y <sub>0</sub>

If  $P_0 < F_r$ , then use  $P_0 = F_r$

The values for  $e$ ,  $Y_2$  and  $Y_0$  are shown in the above table