



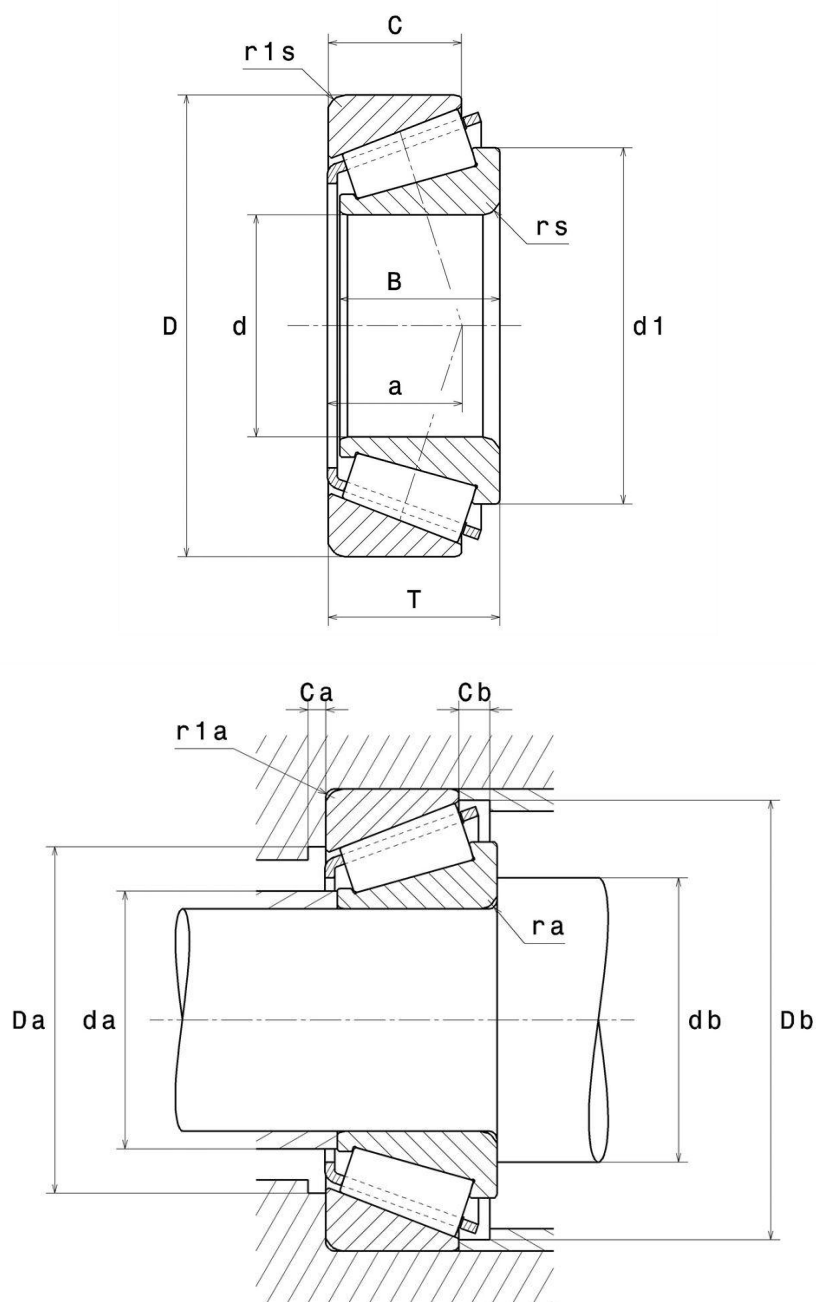
Technical data

4T-30204

Single row tapered roller bearings

Tapered roller bearing, pressed steel cage

VISUAL (S)



4T-30204

Single row tapered roller bearings

PRODUCT DEFINITION

Brand	NTN
d - Internal diameter	20 mm
D - External diameter	47 mm
B - Bearing/Inner ring width	14 mm
C - Outer ring width	12 mm
T - Total width	15,25 mm
d1 - External diameter inner ring	33,5 mm
a - Charge load application point	11,5 mm
rs - Min fillet radius	1 mm
r1s - Min fillet radius	1 mm
Mass	0,124 kg
ISO 355 reference	T2DB020

PRODUCT PERFORMANCE

C - Dynamic load	31 kN
C0 - Static load	28,7 kN
Cu - Fatigue limit load	3,5 kN
A2 - Rating life coefficient	1
e - Coefficient	0.35
Y0 - Static axial load coefficient	0.96
Y2 - Upper axial load coefficient	1.74
Nlim - Oil lubrication limit speed	12000 tr/min
Nlim - Grease lubrication limit speed	8800 tr/min
Tmin - Min operating temperature	-40 °C

4T-30204

Single row tapered roller bearings

PRODUCT PERFORMANCE

Tmax - Max operating temperature	120 °C
---	--------

ABUTMENT

da max - Max shoulder diameter IR	27 mm
db min - Min IR shoulder diameter	25,5 mm
Da min - Min shoulder diameter OR	40 mm
Da max - Max shoulder diameter OR	41,5 mm
Db min - Min OR shoulder diameter	44 mm
Ca - Min clearance	2 mm
Cb - Min clearance	3 mm
ra max - Max fillet radius	1 mm
r1a - Max fillet radius	1 mm

INDUSTRY CALCUL FACTORS

Equivalent dynamic radial load

$$P = X.F_r + Y.F_a$$

$F_a / F_r \leq e$		$F_a / F_r > e$	
X	Y	X	Y
1	0	0.4	Y ₂

Equivalent static radial load

$$P_0 = X_0.F_r + Y_0.F_a$$

X_0	Y_0
0.5	Y ₀

If $P_0 < F_r$, then use $P_0 = F_r$

The values for e, Y₂ and Y₀ are shown in the above table